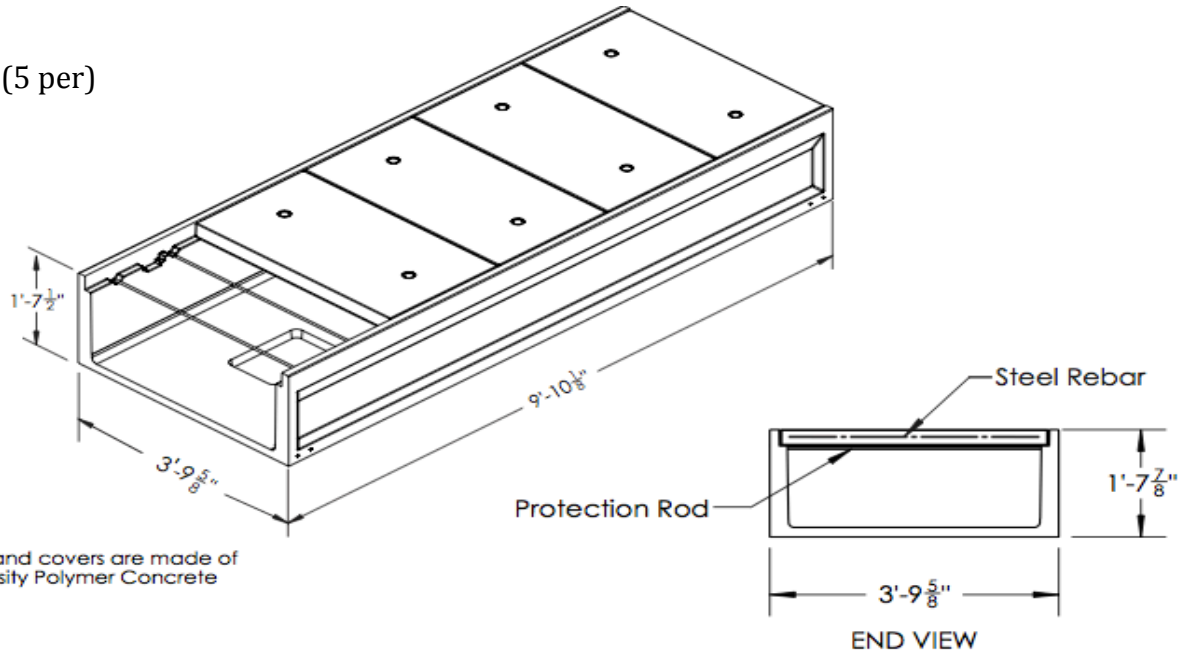


Southern Company Mark Number

MODEL OES Plastibeton 4016

- Qty of Trench Sections (OES 3180000 Full Section Plastibeton with Black Covers, Caps, Protection Rods)
- Qty of Tee's (OES 3180002 Plastibeton "T" Section Complete)
- Qty of 90's (OES 3180001 Plastibeton "90" Section Complete)
- Qty of End Plates: (OES 33690212 End Plate)

Trench Weight: 1,535LBS
Cover Weight: 215LBS each (5 per)



Channel and covers are made of
light Density Polymer Concrete

