



Oldcastle[®]
Enclosure Solutions



Duo Trench[®]

CHANNEL SYSTEM

20" X 16" Pedestrian Rated

Southern Company Mark Number

MODEL OES 2016 DUO Trench

Ordering Information:

Qty of Trench Sections (OES 3250000 Full Section DUO with Orange Covers and caps)

Qty of Tee's (OES 3250002 DUO "T" Section Complete)

Qty of 90's (OES 3250001 DUO "90" Section Complete)

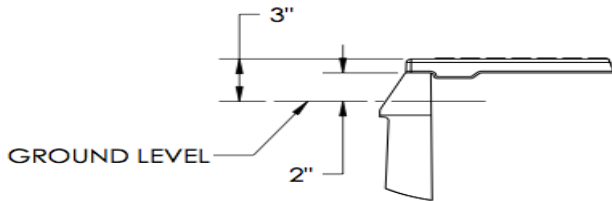
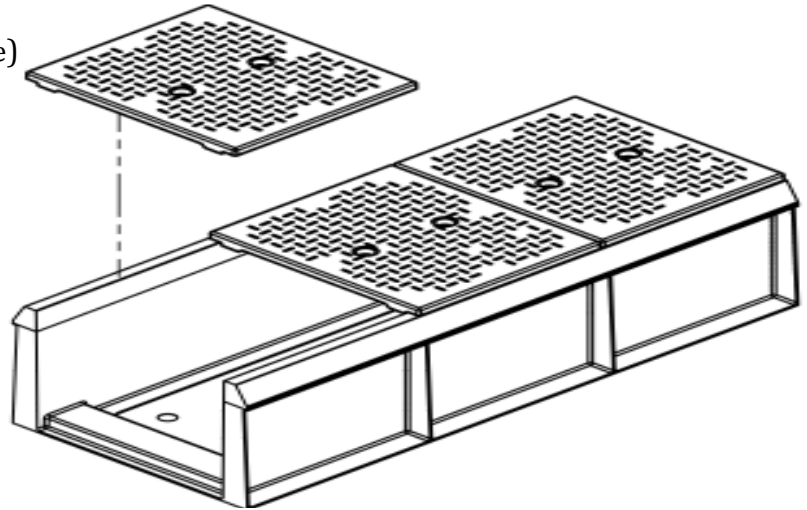
Quantity of End Plates (OES 33650412 PT2016EP End Plate)

Cover Only (OES 33250215 Orange Cover 2016)

Trench Weight 108 LBS

Cover Weight 40 LBS each (3 per section)

Cover GP Orange # 10



DETAIL A
SCALE 1 : 8

