



Oldcastle[®]
Moulded Products



®

PLASTIBETON
CHANNEL SYSTEM



WON'T CRACK UNDER PRESSURE!

2 Inverness, Candiac
Quebec, Canada J5R 4W5
T 888.868.5214 • F 888.500.5568

Copyright © 2010





Copyright © 2010



2 Inverness, Candiac
Quebec, Canada J5R 4W5

T 888.868.5214 • F 888.500.5568

A SYSTEM YOU CAN RELY ON!



WON'T CRACK UNDER PRESSURE!

2 Inverness, Candiac
Quebec, Canada J5R 4W5
T 888.868.5214 • F 888.500.5568

Copyright © 2010





Copyright © 2010



2 Inverness, Candiac
Quebec, Canada J5R 4W5

T 888.868.5214 • F 888.500.5568

A SYSTEM YOU CAN RELY ON!



WON'T CRACK UNDER PRESSURE!

2 Inverness, Candiac
Quebec, Canada J5R 4W5
T 888.868.5214 • F 888.500.5568

Copyright © 2010





Copyright © 2010



2 Inverness, Candiac
Quebec, Canada J5R 4W5

T 888.868.5214 • F 888.500.5568

A SYSTEM YOU CAN RELY ON!



WON'T CRACK UNDER PRESSURE!

2 Inverness, Candiac
Quebec, Canada J5R 4W5
T 888.868.5214 • F 888.500.5568

Copyright © 2010





Copyright © 2010



2 Inverness, Candiac
Quebec, Canada J5R 4W5

T 888.868.5214 • F 888.500.5568

A SYSTEM YOU CAN RELY ON!



WON'T CRACK UNDER PRESSURE!

2 Inverness, Candiac
Quebec, Canada J5R 4W5
T 888.868.5214 • F 888.500.5568

Copyright © 2010





Copyright © 2010



2 Inverness, Candiac
Quebec, Canada J5R 4W5

T 888.868.5214 • F 888.500.5568

A SYSTEM YOU CAN RELY ON!



WON'T CRACK UNDER PRESSURE!

2 Inverness, Candiac
Quebec, Canada J5R 4W5
T 888.868.5214 • F 888.500.5568

Copyright © 2010





Copyright © 2010



2 Inverness, Candiac
Quebec, Canada J5R 4W5

T 888.868.5214 • F 888.500.5568

A SYSTEM YOU CAN RELY ON!



Copyright © 2010



2 Inverness, Candiac
Quebec, Canada J5R 4W5

T 888.868.5214 • F 888.500.5568

A SYSTEM YOU CAN RELY ON!



WON'T CRACK UNDER PRESSURE!

2 Inverness, Candiac
Quebec, Canada J5R 4W5
T 888.868.5214 • F 888.500.5568

Copyright © 2010





Copyright © 2010



2 Inverness, Candiac
Quebec, Canada J5R 4W5

T 888.868.5214 • F 888.500.5568

A SYSTEM YOU CAN RELY ON!



WON'T CRACK UNDER PRESSURE!

2 Inverness, Candiac
Quebec, Canada J5R 4W5
T 888.868.5214 • F 888.500.5568

Copyright © 2010





Copyright © 2010



2 Inverness, Candiac
Quebec, Canada J5R 4W5

T 888.868.5214 • F 888.500.5568

A SYSTEM YOU CAN RELY ON!



WON'T CRACK UNDER PRESSURE!

2 Inverness, Candiac
Quebec, Canada J5R 4W5
T 888.868.5214 • F 888.500.5568

Copyright © 2010





Copyright © 2010



2 Inverness, Candiac
Quebec, Canada J5R 4W5

T 888.868.5214 • F 888.500.5568

A SYSTEM YOU CAN RELY ON!



WON'T CRACK UNDER PRESSURE!

2 Inverness, Candiac
Quebec, Canada J5R 4W5

T 888.868.5214 • F 888.500.5568

Copyright © 2010





Copyright © 2010



2 Inverness, Candiac
Quebec, Canada J5R 4W5

T 888.868.5214 • F 888.500.5568

A SYSTEM YOU CAN RELY ON!



WON'T CRACK UNDER PRESSURE!

2 Inverness, Candiac
Quebec, Canada J5R 4W5
T 888.868.5214 • F 888.500.5568

Copyright © 2010





WON'T CRACK UNDER PRESSURE!

2 Inverness, Candiac
Quebec, Canada J5R 4W5
T 888.868.5214 • F 888.500.5568

Copyright © 2010





Copyright © 2010



2 Inverness, Candiac
Quebec, Canada J5R 4W5

T 888.868.5214 • F 888.500.5568

A SYSTEM YOU CAN RELY ON!



WON'T CRACK UNDER PRESSURE!

2 Inverness, Candiac
Quebec, Canada J5R 4W5
T 888.868.5214 • F 888.500.5568

Copyright © 2010





Copyright © 2010



2 Inverness, Candiac
Quebec, Canada J5R 4W5

T 888.868.5214 • F 888.500.5568

A SYSTEM YOU CAN RELY ON!



WON'T CRACK UNDER PRESSURE!

2 Inverness, Candiac
Quebec, Canada J5R 4W5
T 888.868.5214 • F 888.500.5568

Copyright © 2010





Copyright © 2010



2 Inverness, Candiac
Quebec, Canada J5R 4W5

T 888.868.5214 • F 888.500.5568

A SYSTEM YOU CAN RELY ON!



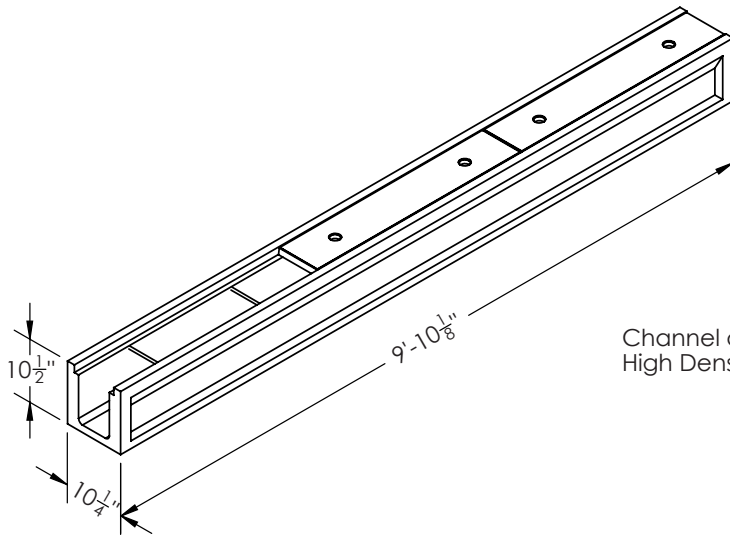
WON'T CRACK UNDER PRESSURE!

2 Inverness, Candiac
Quebec, Canada J5R 4W5
T 888.868.5214 • F 888.500.5568

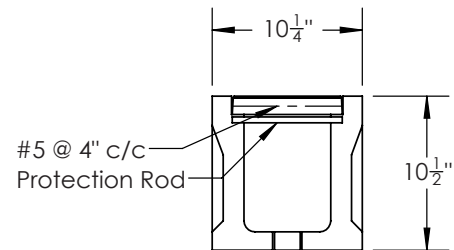
Copyright © 2010



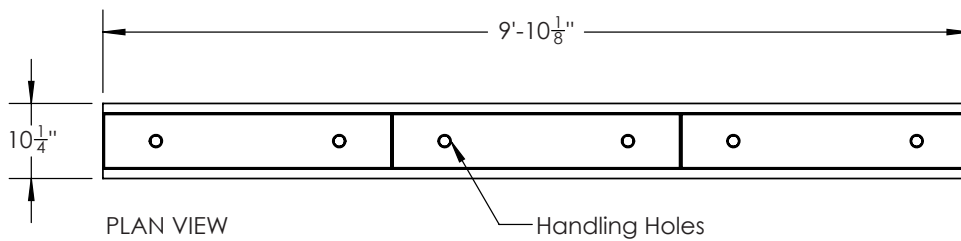
Model No. 68
Weight 402 lb



Channel and covers are made of High Density Polymer Concrete



END VIEW



PLAN VIEW

Handling Holes

ITEMS ARE SUBJECT TO CHANGE WITHOUT NOTICE.

Copyright © 2010

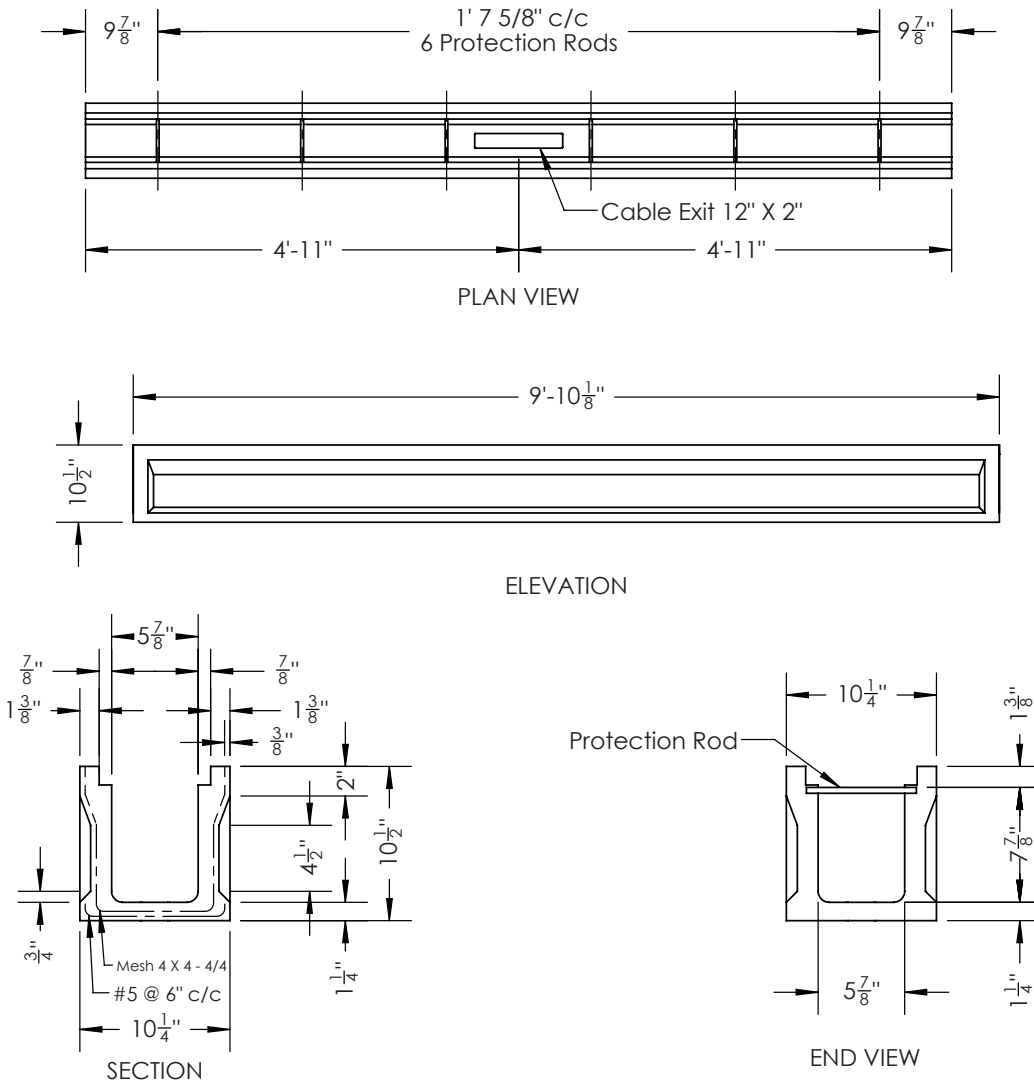


2 Inverness, Candiac
Quebec, Canada J5R 4W5

T 888.868.5214 • F 888.500.5568

A SYSTEM YOU CAN RELY ON!

Model No. 68
Weight 402 lb



ITEMS ARE SUBJECT TO CHANGE WITHOUT NOTICE.

WON'T CRACK UNDER PRESSURE!

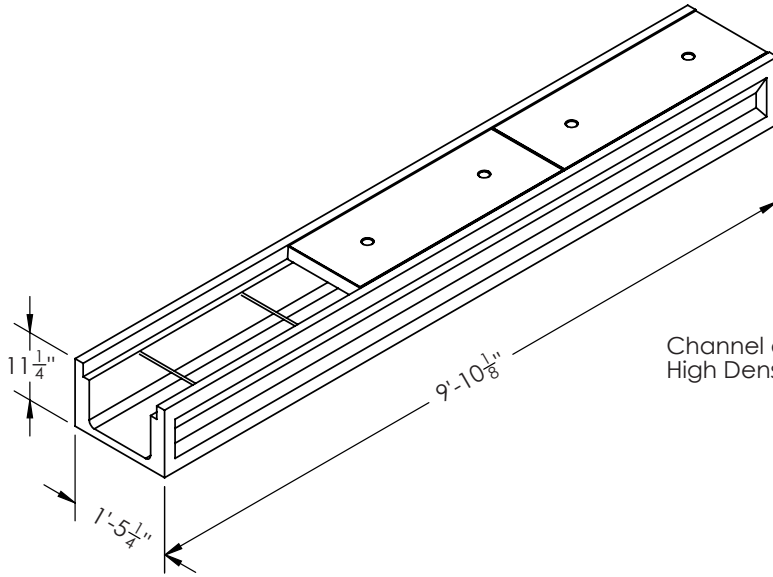
2 Inverness, Candiac
Quebec, Canada J5R 4W5

T 888.868.5214 • F 888.500.5568

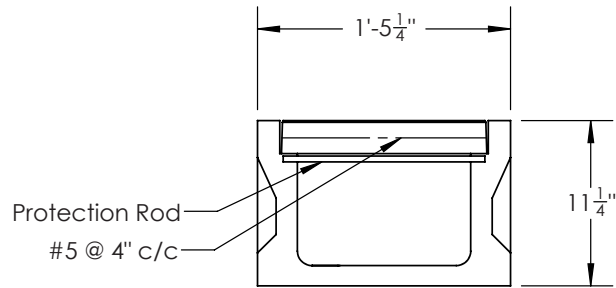
Copyright © 2010



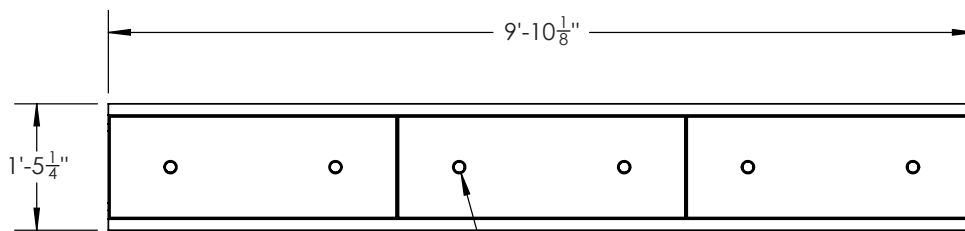
Model No. 128
Weight 588 lb



Channel and covers are made of High Density Polymer Concrete



END VIEW



PLAN VIEW

Handling Holes

ITEMS ARE SUBJECT TO CHANGE WITHOUT NOTICE.

Copyright © 2010

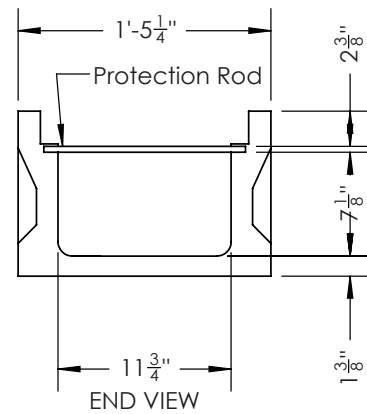
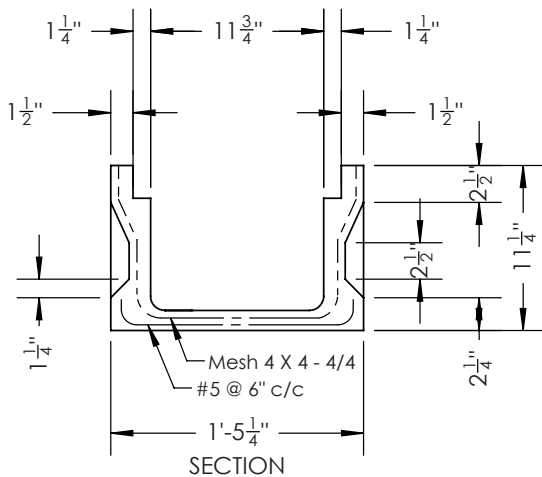
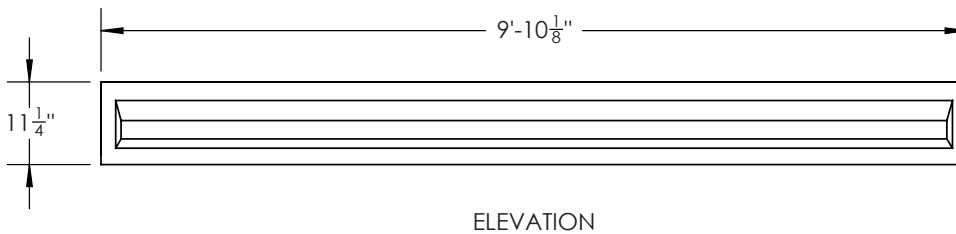
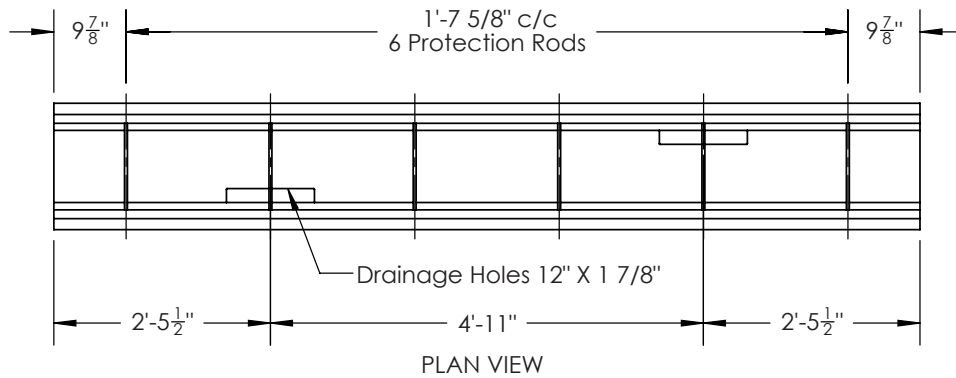


2 Inverness, Candiac
Quebec, Canada J5R 4W5

T 888.868.5214 • F 888.500.5568

A SYSTEM YOU CAN RELY ON!

Model No. 128
Weight 588 lb



ITEMS ARE SUBJECT TO CHANGE WITHOUT NOTICE.

WON'T CRACK UNDER PRESSURE!

2 Inverness, Candiac
Quebec, Canada J5R 4W5

T 888.868.5214 • F 888.500.5568

Copyright © 2010





Copyright © 2010

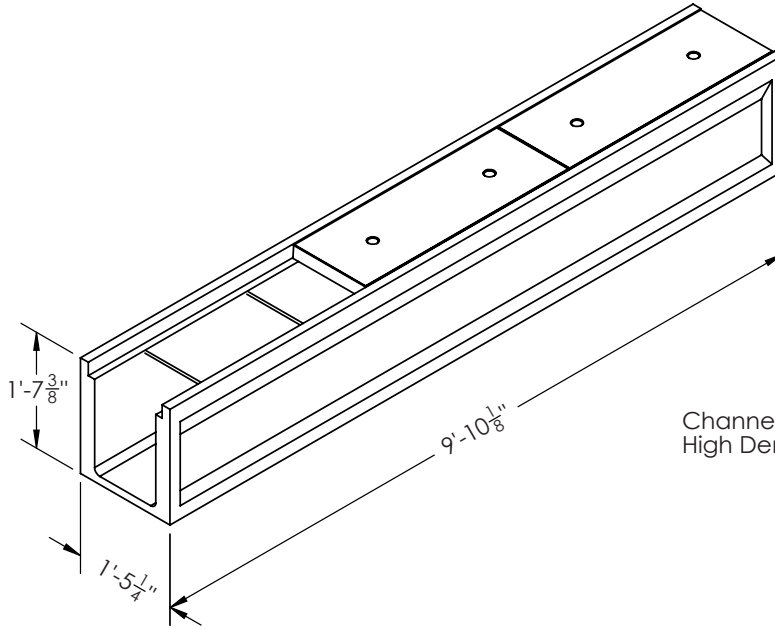


2 Inverness, Candiac
Quebec, Canada J5R 4W5

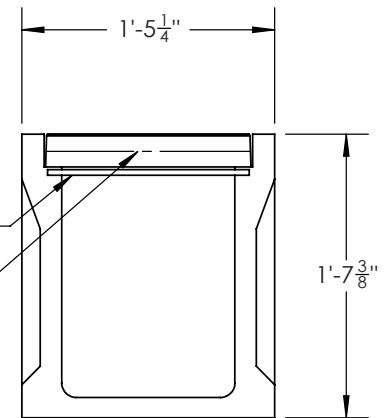
T 888.868.5214 • F 888.500.5568

A SYSTEM YOU CAN RELY ON!

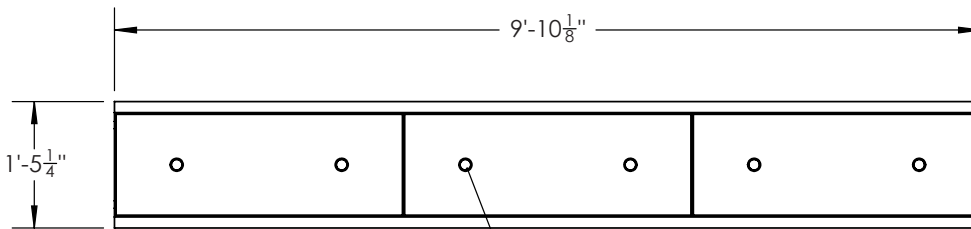
Model No. 1216
Weight 813 lb



Channel and covers are made of High Density Polymer Concrete



END VIEW



PLAN VIEW

Handling Holes

ITEMS ARE SUBJECT TO CHANGE WITHOUT NOTICE.

Copyright © 2010

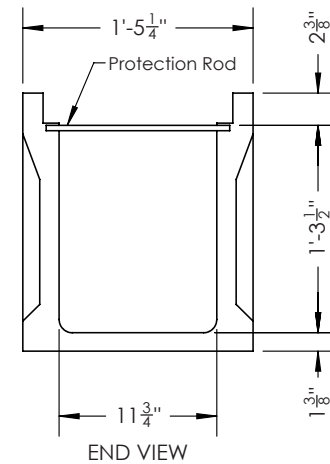
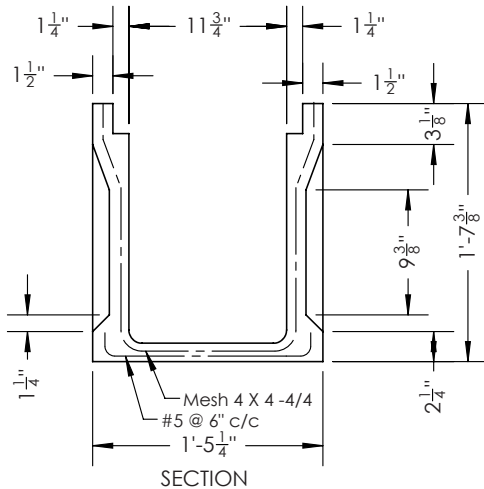
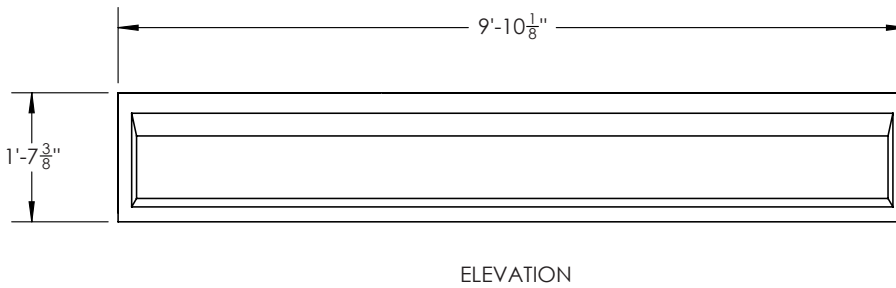
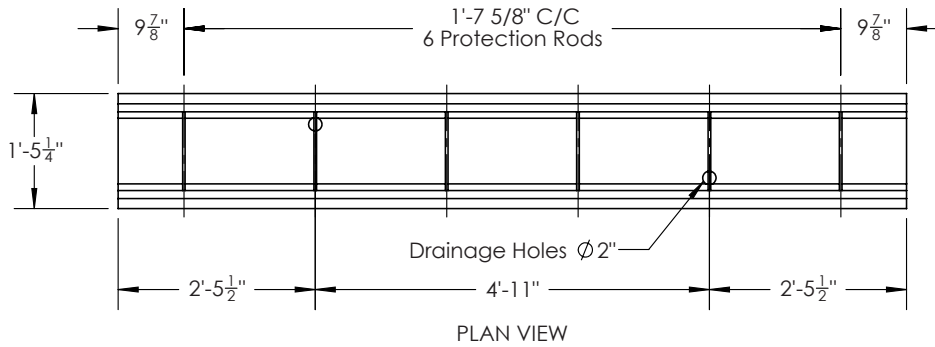


2 Inverness, Candiac
Quebec, Canada J5R 4W5

T 888.868.5214 • F 888.500.5568

A SYSTEM YOU CAN RELY ON!

Model No. 1216
Weight 813 lb



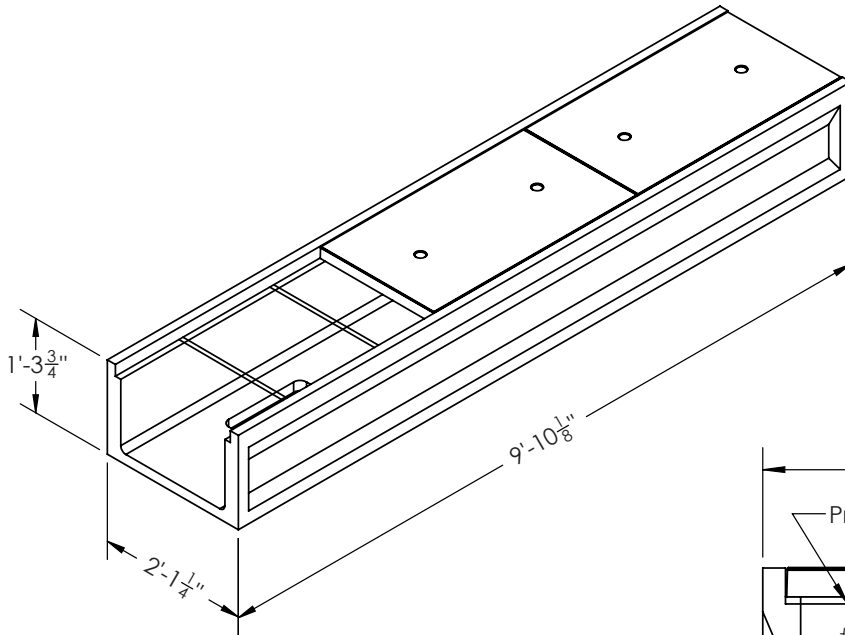
ITEMS ARE SUBJECT TO CHANGE WITHOUT NOTICE.

WON'T CRACK UNDER PRESSURE!

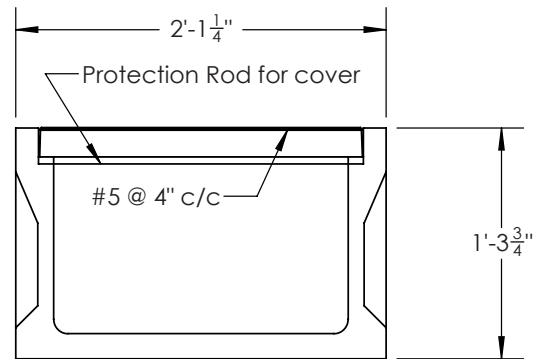
2 Inverness, Candiac
Quebec, Canada J5R 4W5
T 888.868.5214 • F 888.500.5568

Copyright © 2010
Oldcastle[®]

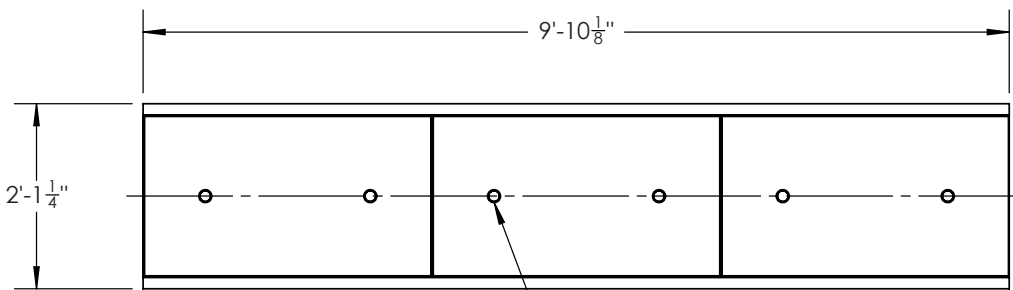
Model No. 2012
Weight 821 lb



Channel and covers are made of
High Density Polymer Concrete



END VIEW



PLAN VIEW

Handling Holes

ITEMS ARE SUBJECT TO CHANGE WITHOUT NOTICE.

Copyright © 2010

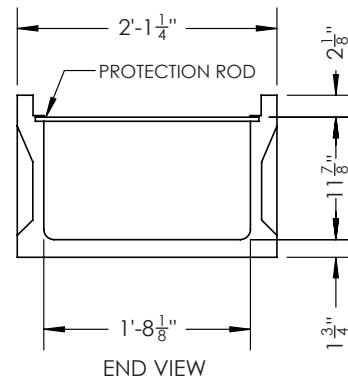
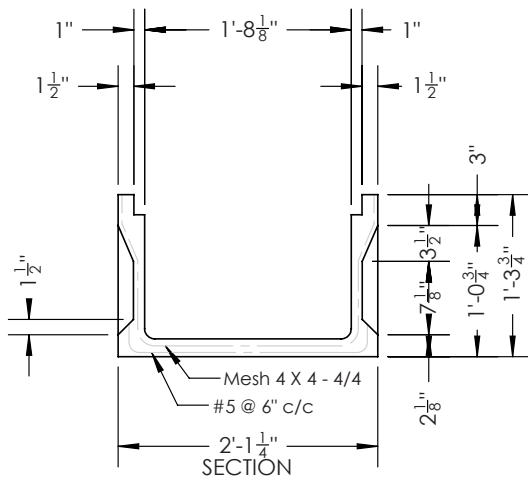
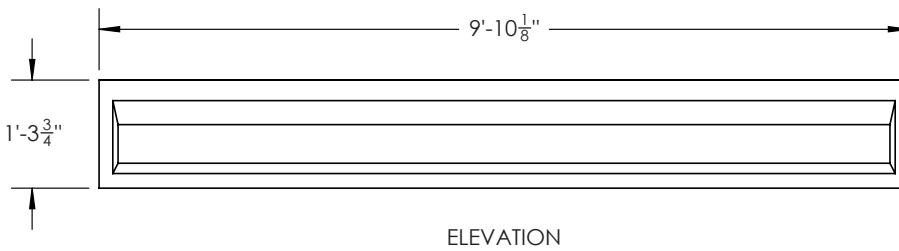
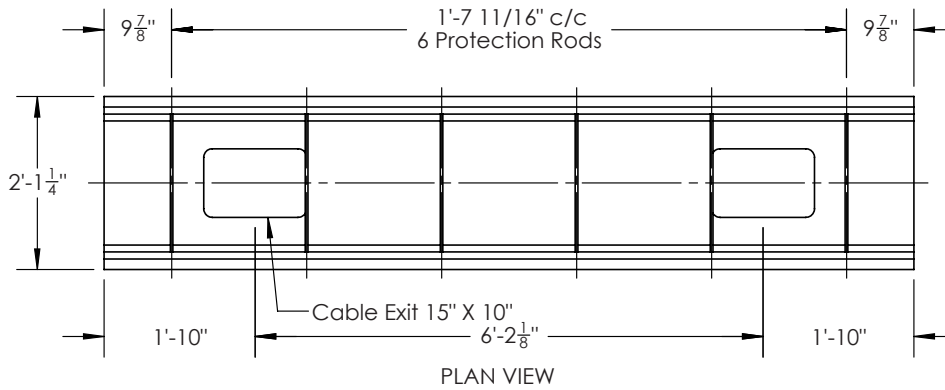


2 Inverness, Candiac
Quebec, Canada J5R 4W5

T 888.868.5214 • F 888.500.5568

A SYSTEM YOU CAN RELY ON!

Model No. 2012
Weight 821 lb



ITEMS ARE SUBJECT TO CHANGE WITHOUT NOTICE.

WON'T CRACK UNDER PRESSURE!

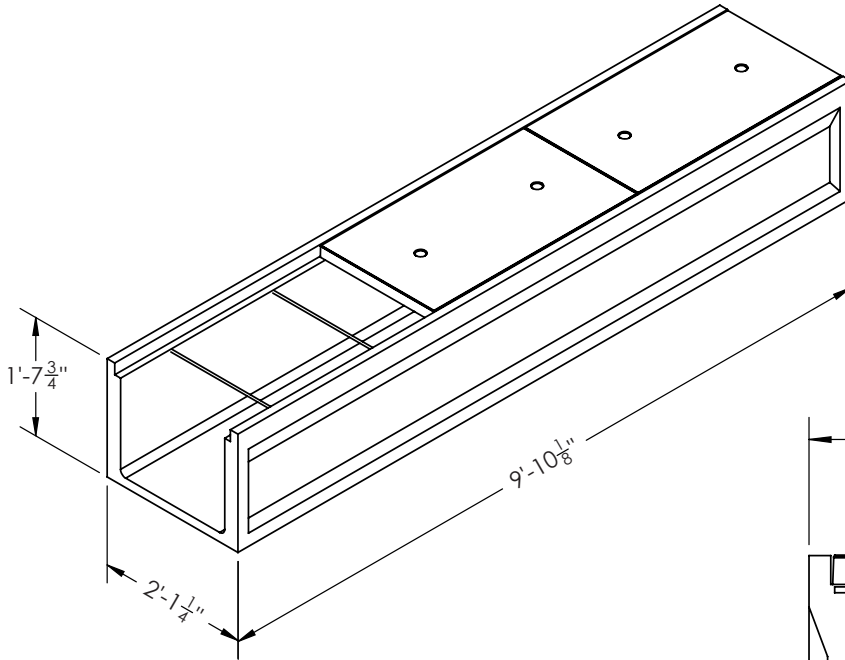
2 Inverness, Candiac
Quebec, Canada J5R 4W5

T 888.868.5214 • F 888.500.5568

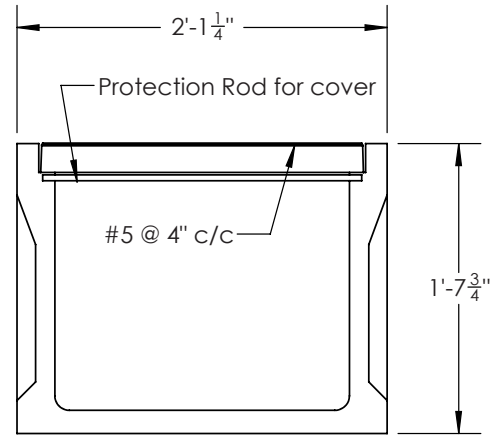
Copyright © 2010



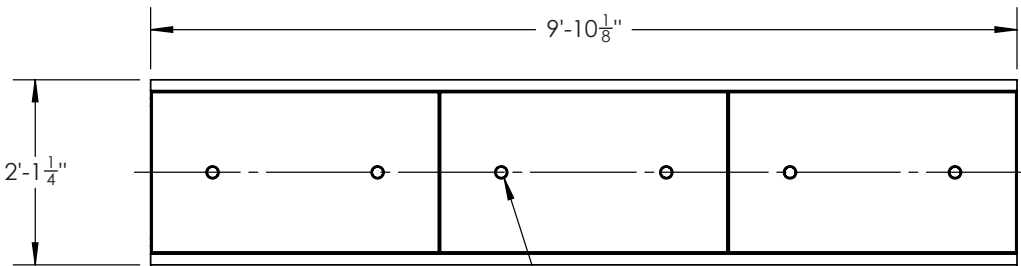
Model No. 2016
Weight 977 lb



Channel and covers are made of High Density Polymer Concrete



END VIEW



PLAN VIEW

Handling Holes

ITEMS ARE SUBJECT TO CHANGE WITHOUT NOTICE.

Copyright © 2010

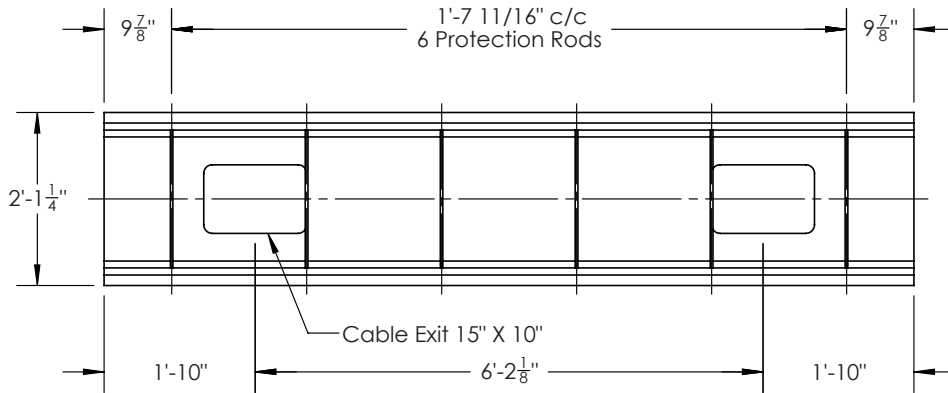


2 Inverness, Candiac
Quebec, Canada J5R 4W5

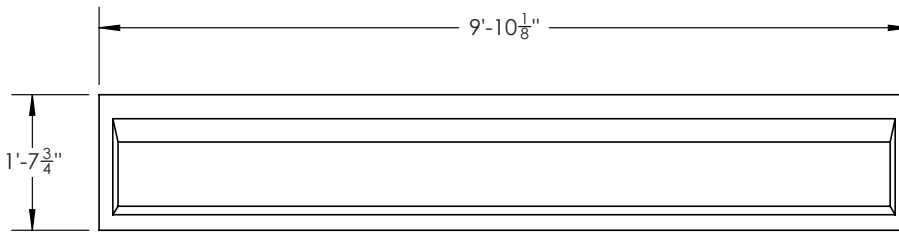
T 888.868.5214 • F 888.500.5568

A SYSTEM YOU CAN RELY ON!

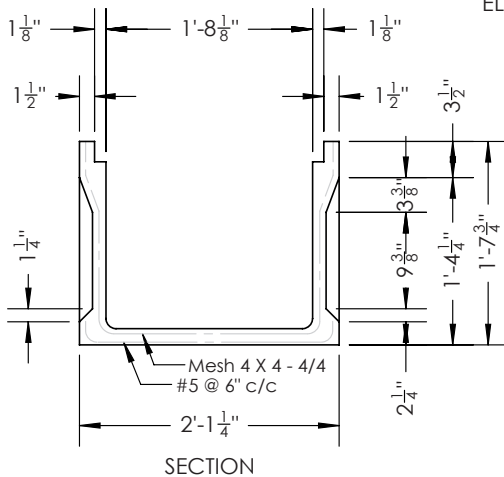
Model No. 2016
Weight 977 lb



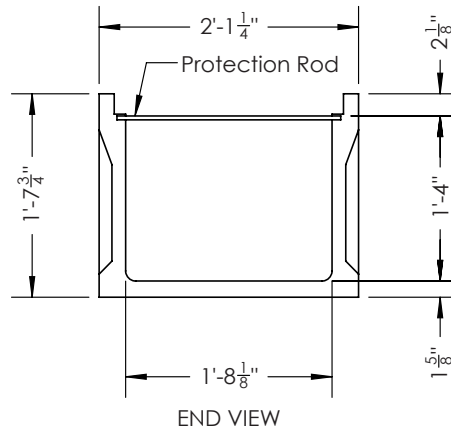
PLAN VIEW



ELEVATION



SECTION



END VIEW

ITEMS ARE SUBJECT TO CHANGE WITHOUT NOTICE.

WON'T CRACK UNDER PRESSURE!

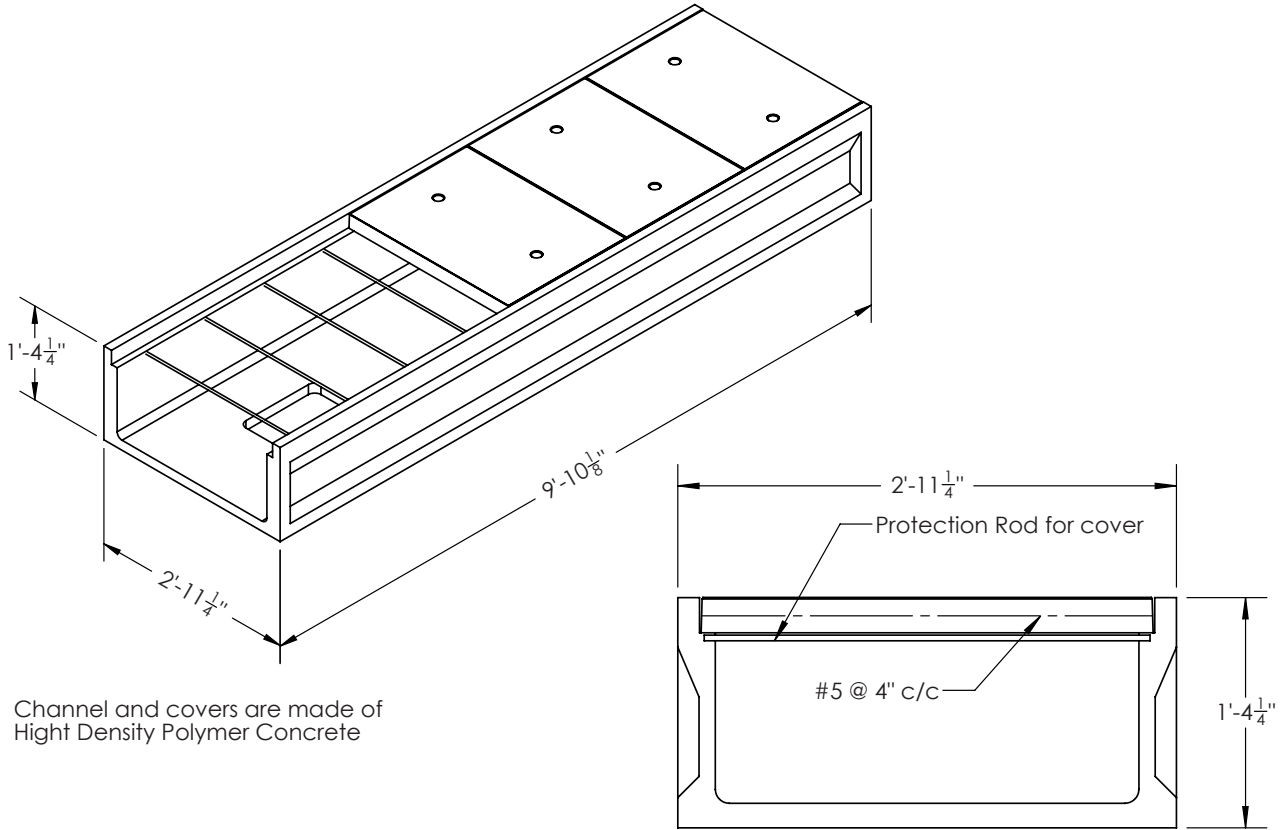
2 Inverness, Candiac
Quebec, Canada J5R 4W5

T 888.868.5214 • F 888.500.5568

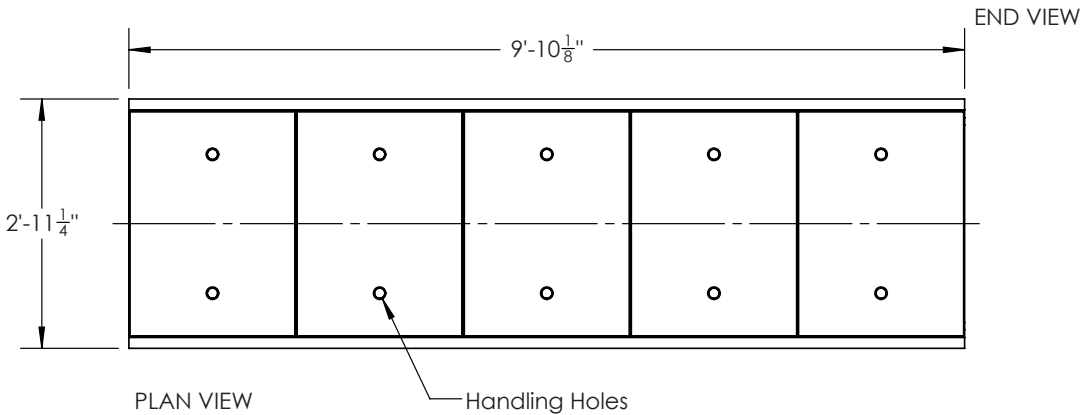
Copyright © 2010



Model No. 3012
Weight 1170 lb

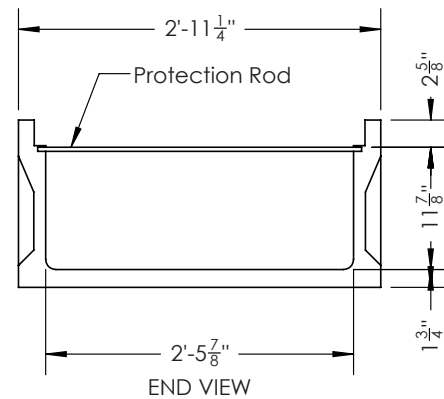
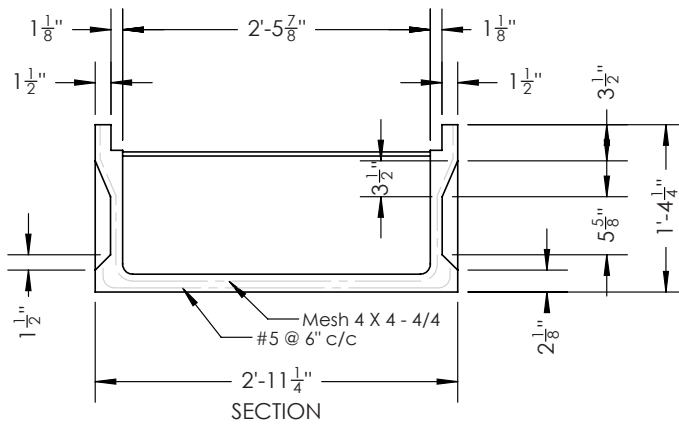
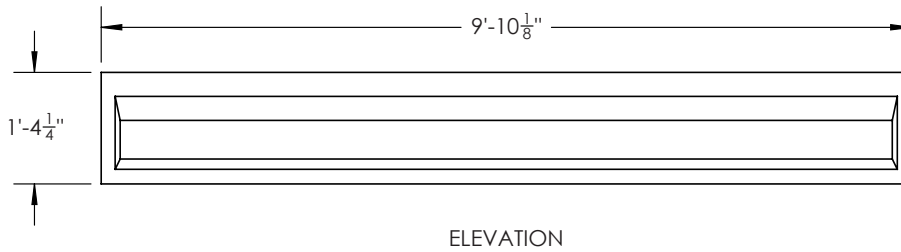
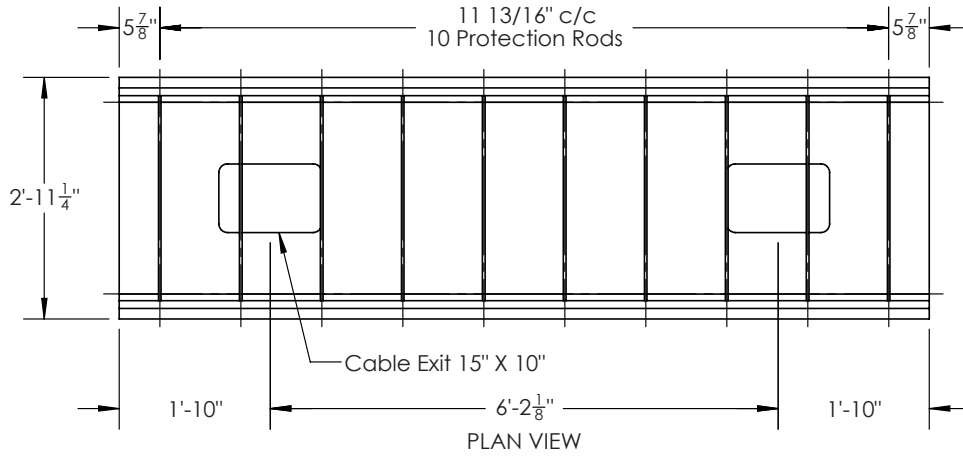


Channel and covers are made of
High Density Polymer Concrete



ITEMS ARE SUBJECT TO CHANGE WITHOUT NOTICE.

Model No. 3012
Weight 1170 lb



ITEMS ARE SUBJECT TO CHANGE WITHOUT NOTICE.

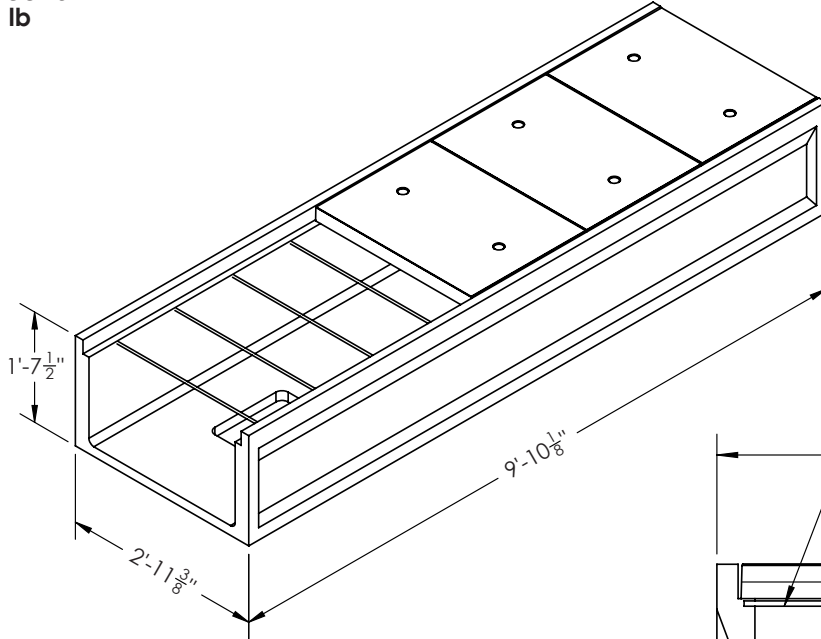
WON'T CRACK UNDER PRESSURE!

2 Inverness, Candiac
Quebec, Canada J5R 4W5
T 888.868.5214 • F 888.500.5568

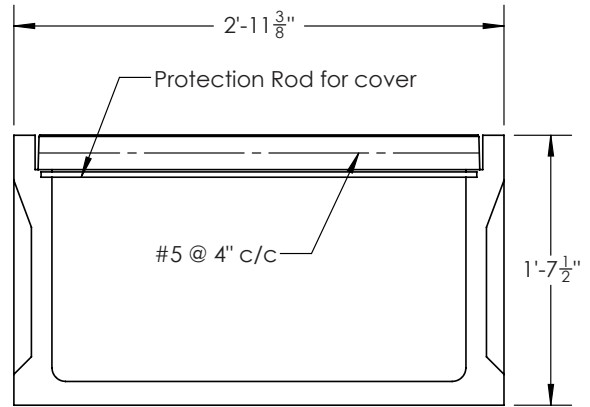
Copyright © 2010



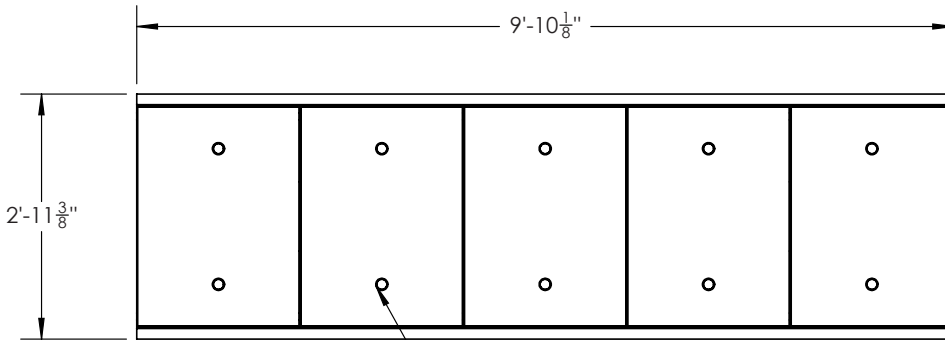
Model No. 3016
Weight 1326 lb



Channel and covers are made of
High Density Polymer Concrete



END VIEW



PLAN VIEW

Handling Holes

ITEMS ARE SUBJECT TO CHANGE WITHOUT NOTICE.

Copyright © 2010

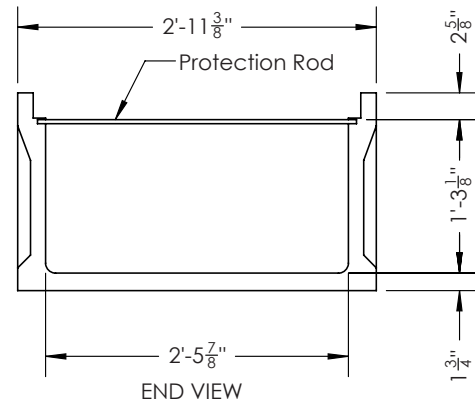
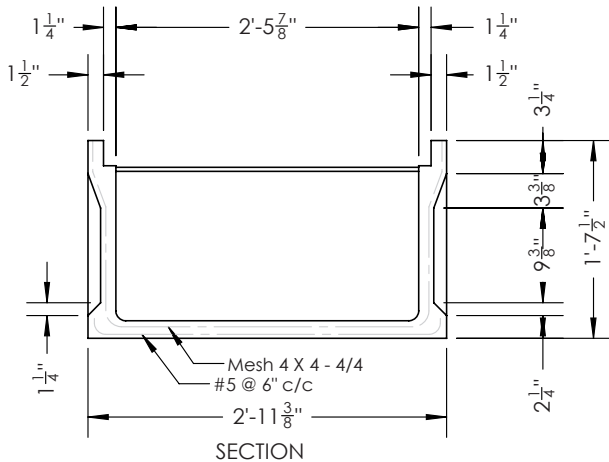
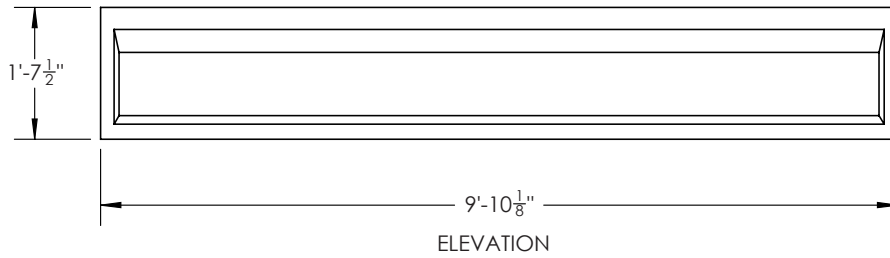
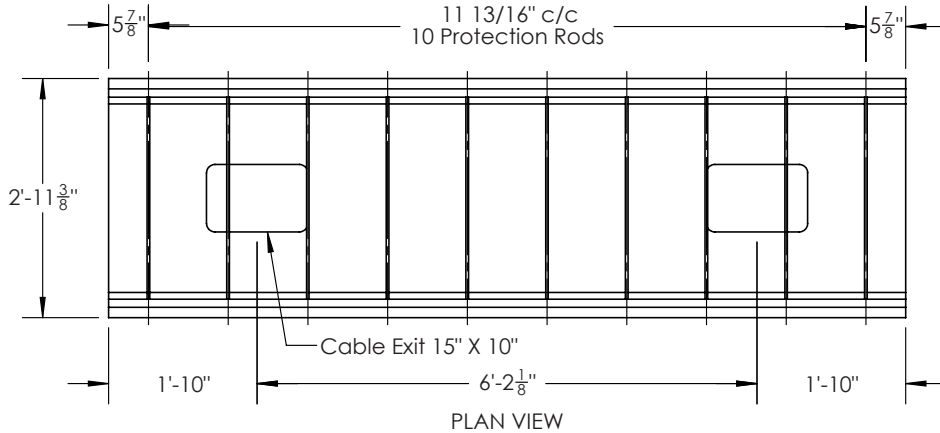


2 Inverness, Candiac
Quebec, Canada J5R 4W5

T 888.868.5214 • F 888.500.5568

A SYSTEM YOU CAN RELY ON!

Model No. 3016
Weight 1326 lb



ITEMS ARE SUBJECT TO CHANGE WITHOUT NOTICE.

WON'T CRACK UNDER PRESSURE!

2 Inverness, Candiac
Quebec, Canada J5R 4W5

T 888.868.5214 • F 888.500.5568

Copyright © 2010





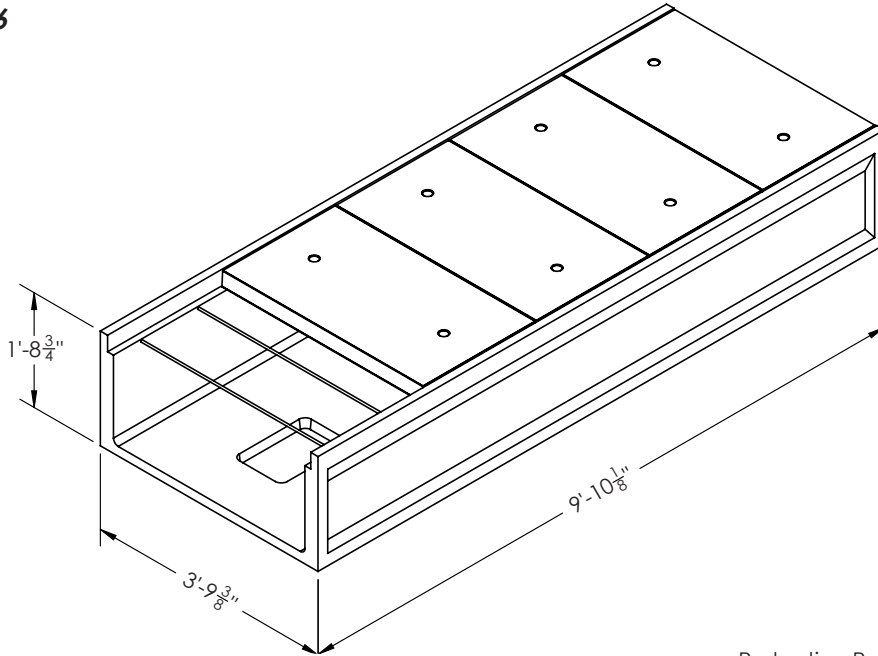
WON'T CRACK UNDER PRESSURE!

2 Inverness, Candiac
Quebec, Canada J5R 4W5
T 888.868.5214 • F 888.500.5568

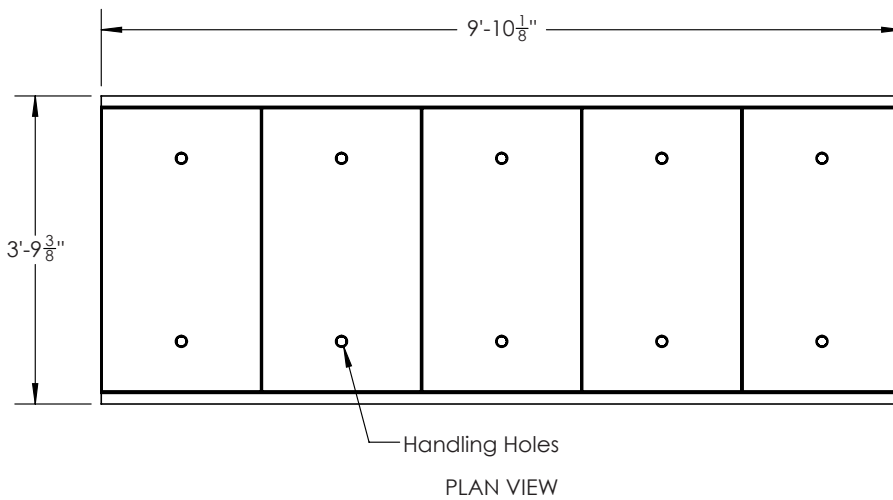
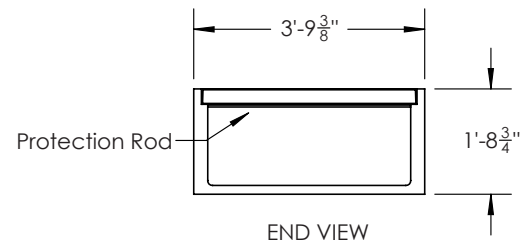
Copyright © 2010



Model No. 4016
Weight 1485 lb



Channel and covers are made of High Density Polymer Concrete



ITEMS ARE SUBJECT TO CHANGE WITHOUT NOTICE.

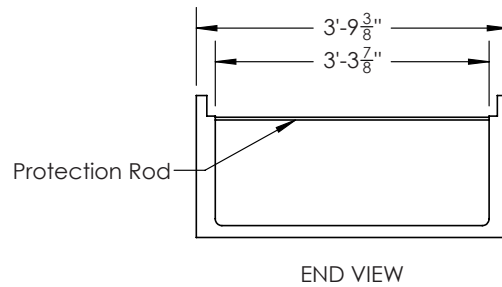
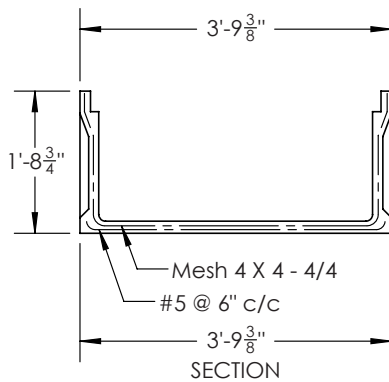
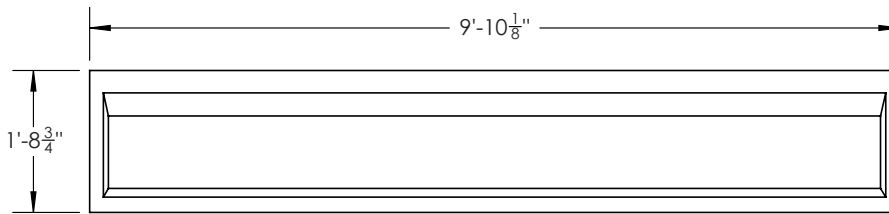
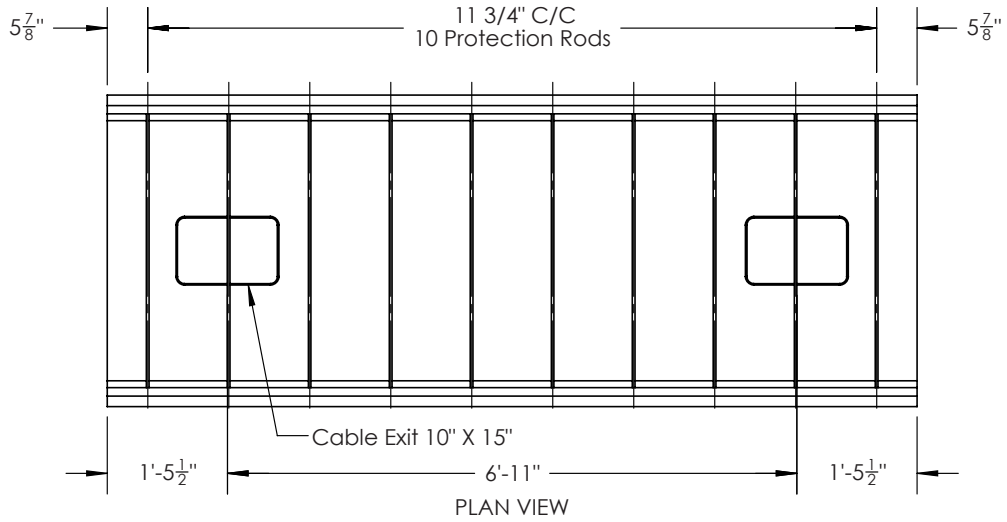
Copyright © 2010



2 Inverness, Candiac
Quebec, Canada J5R 4W5
T 888.868.5214 • F 888.500.5568

A SYSTEM YOU CAN RELY ON!

Model No. 4016
Weight 1485 lb



ITEMS ARE SUBJECT TO CHANGE WITHOUT NOTICE.

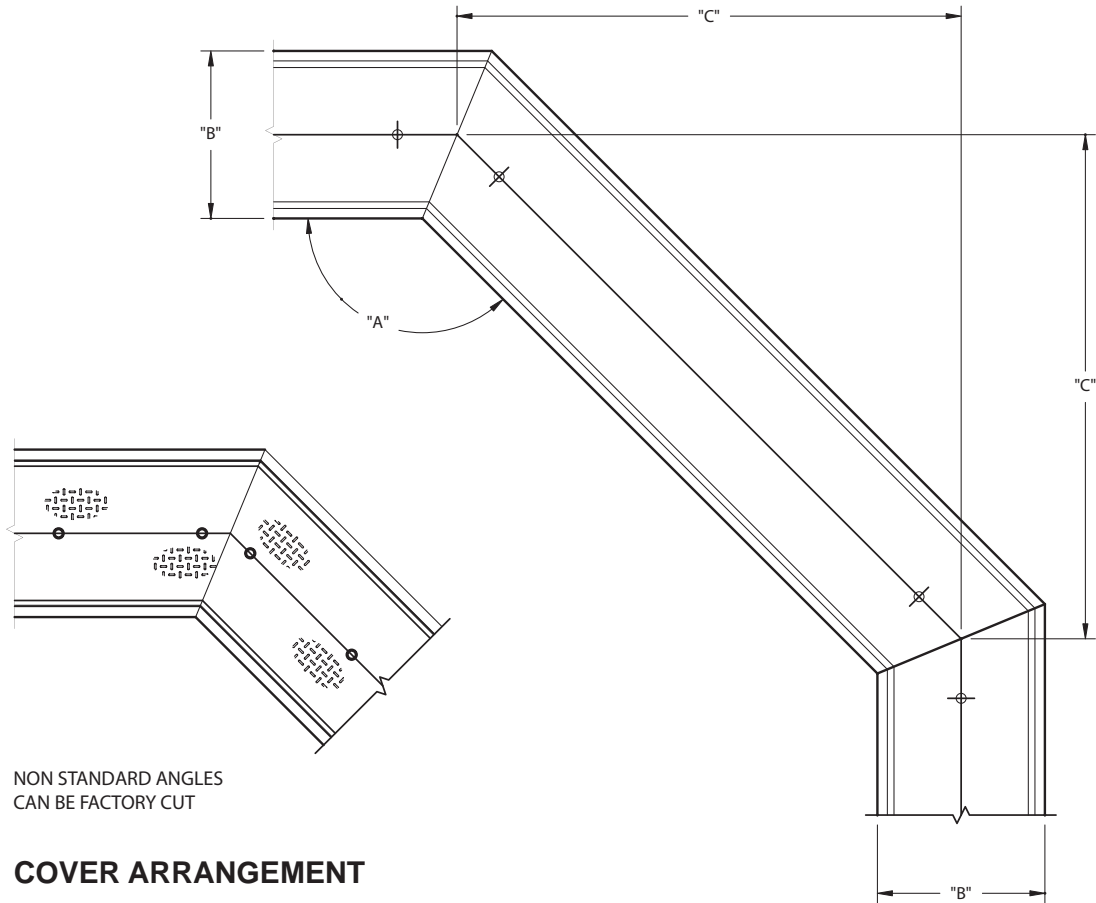
WON'T CRACK UNDER PRESSURE!

2 Inverness, Candiac
Quebec, Canada J5R 4W5
T 888.868.5214 • F 888.500.5568

Copyright © 2010



Horizontal Deviation



NON STANDARD ANGLES
CAN BE FACTORY CUT

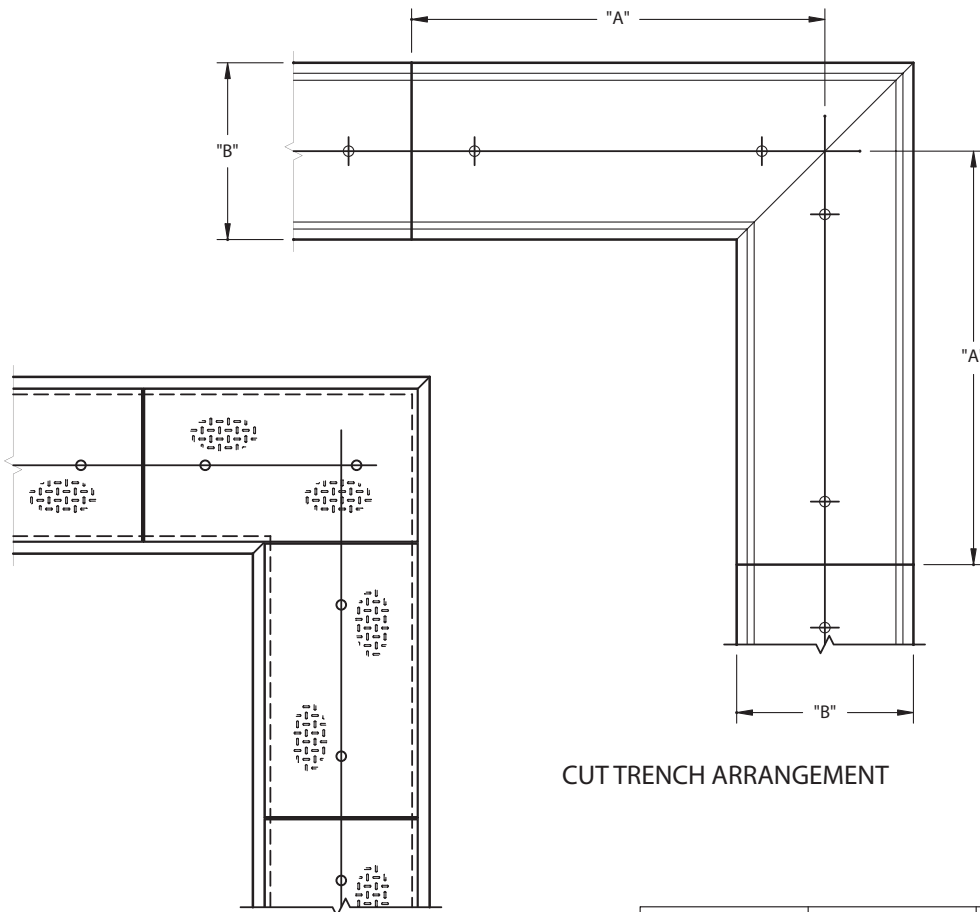
COVER ARRANGEMENT

MODEL	"A"	"B"	"C"
68	135°	0'-10 1/4"	6'-8 3/4"
128	135°	1'- 5 1/4"	6'-6 1/2"
1216	135°	1'- 5 1/4"	6'-6 1/2"
2012	135°	2'- 1 1/4"	6'-4 1/2"
2016	135°	2'- 1 1/4"	6'-4 1/2"
3012	135°	2'-11 1/4"	6'-1 3/16"
3016	135°	2'-11 1/4"	6'-1 3/16"
4016	135°	2'-11 1/4"	6'-1 3/16"

TRENCH ARRANGEMENT

ITEMS ARE SUBJECT TO CHANGE WITHOUT NOTICE.

Right Angle Corner



CUT TRENCH ARRANGEMENT

COVER ARRANGEMENT

MODEL	"A"	"B"
68	4'-11 1/16"	0'-10 1/4"
128	4'-11 1/16"	1'- 5 1/4"
1216	4'-11 1/16"	1'- 5 1/4"
2012	4'-11 1/16"	2'- 1 1/4"
2016	4'-11 1/16"	2'- 1 1/4"
3012	4'-11 1/16"	2'-11 1/4"
3016	4'-11 1/16"	2'-11 1/4"
4016	4'-11 1/16"	2'-11 1/4"

ITEMS ARE SUBJECT TO CHANGE WITHOUT NOTICE.

WON'T CRACK UNDER PRESSURE!

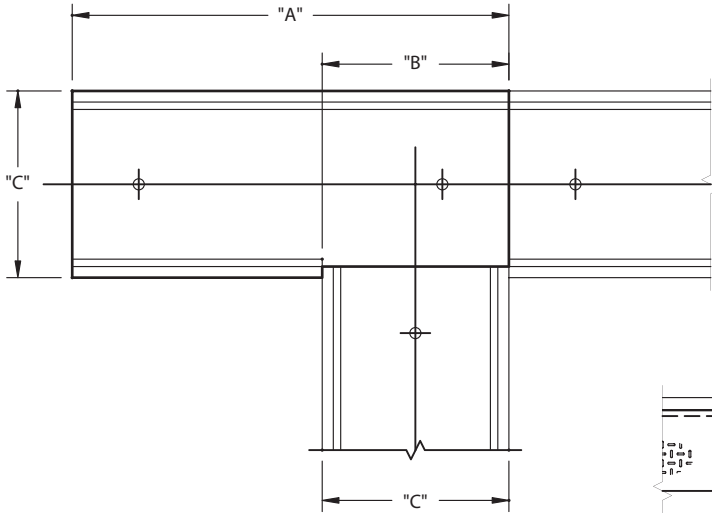
2 Inverness, Candiac
Quebec, Canada J5R 4W5

T 888.868.5214 • F 888.500.5568

Copyright © 2010

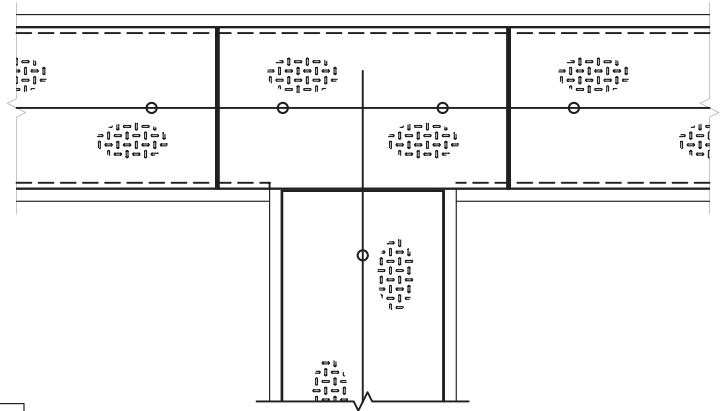


Single "T" Shape



"T" ARRANGEMENT TRENCH

"T" ARRANGEMENT TRENCH

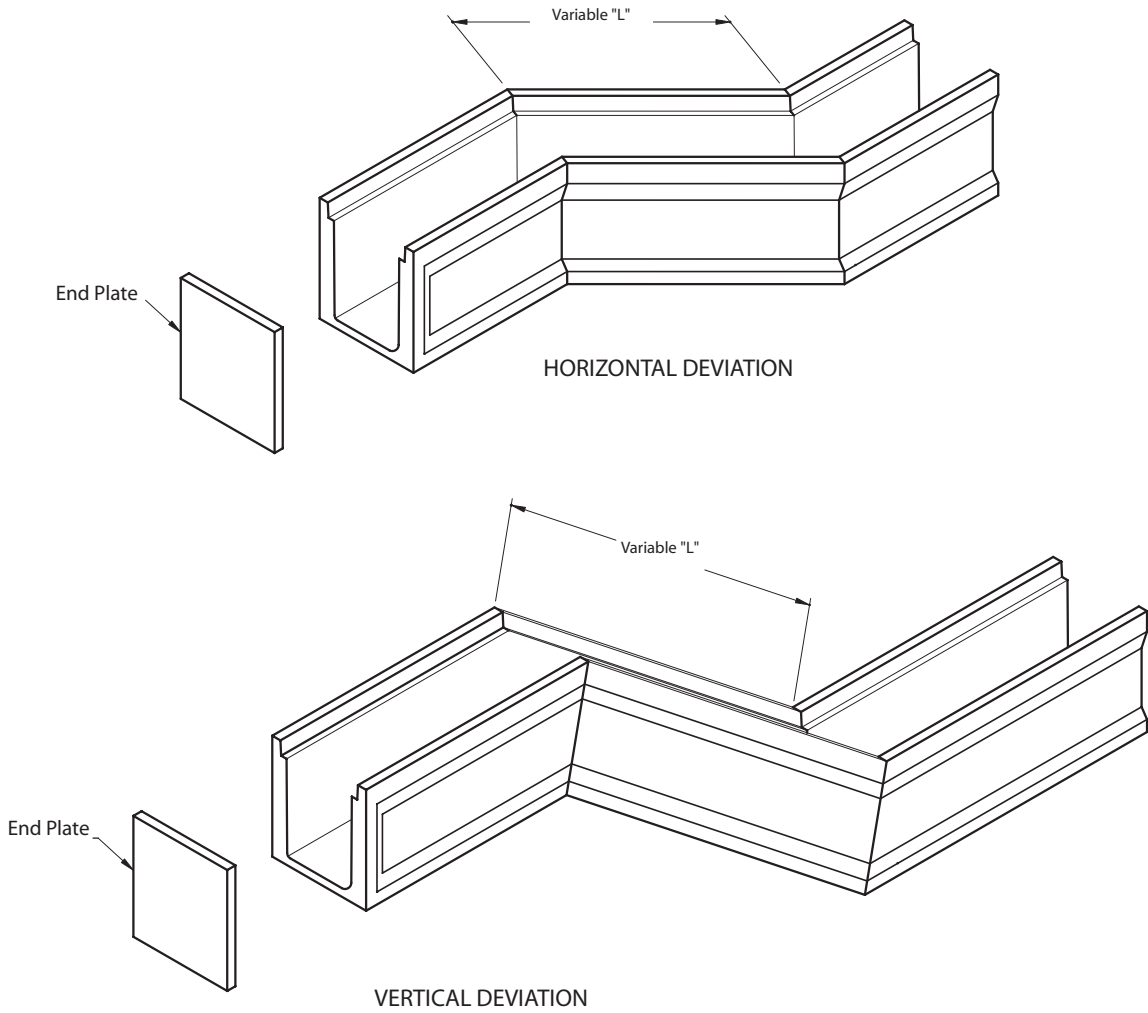


"T" ARRANGEMENT COVERS

MODEL	"A"	"B"	"C"
68	4'-11 1/16"	0'-10 1/2"	0'-10 1/4"
128	4'-11 1/16"	1'- 5 1/2"	1'- 5 1/4"
1216	4'-11 1/16"	1'- 5 1/2"	1'- 5 1/4"
2012	4'-11 1/16"	2'- 1 1/2"	2'- 1 1/4"
2016	4'-11 1/16"	2'- 1 1/2"	2'- 1 1/4"
3012	4'-11 1/16"	2'-11 1/2"	2'-11 1/4"
3016	4'-11 1/16"	2'-11 1/2"	2'-11 1/4"
3016	4'-11 1/16"	2'-11 1/2"	2'-11 1/4"
4016	4'-11 1/16"	2'-11 1/2"	2'-11 1/4"

ITEMS ARE SUBJECT TO CHANGE WITHOUT NOTICE.

Deviation



ITEMS ARE SUBJECT TO CHANGE WITHOUT NOTICE.

WON'T CRACK UNDER PRESSURE!

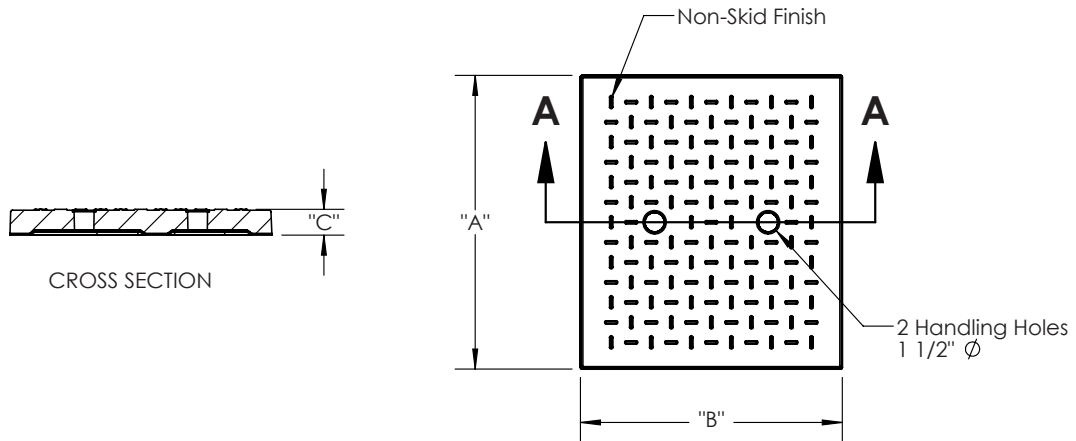
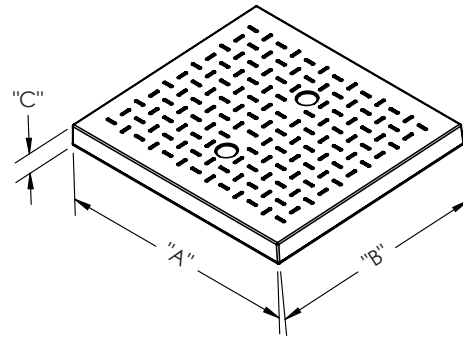
2 Inverness, Candiac
Quebec, Canada J5R 4W5

T 888.868.5214 • F 888.500.5568

Copyright © 2010



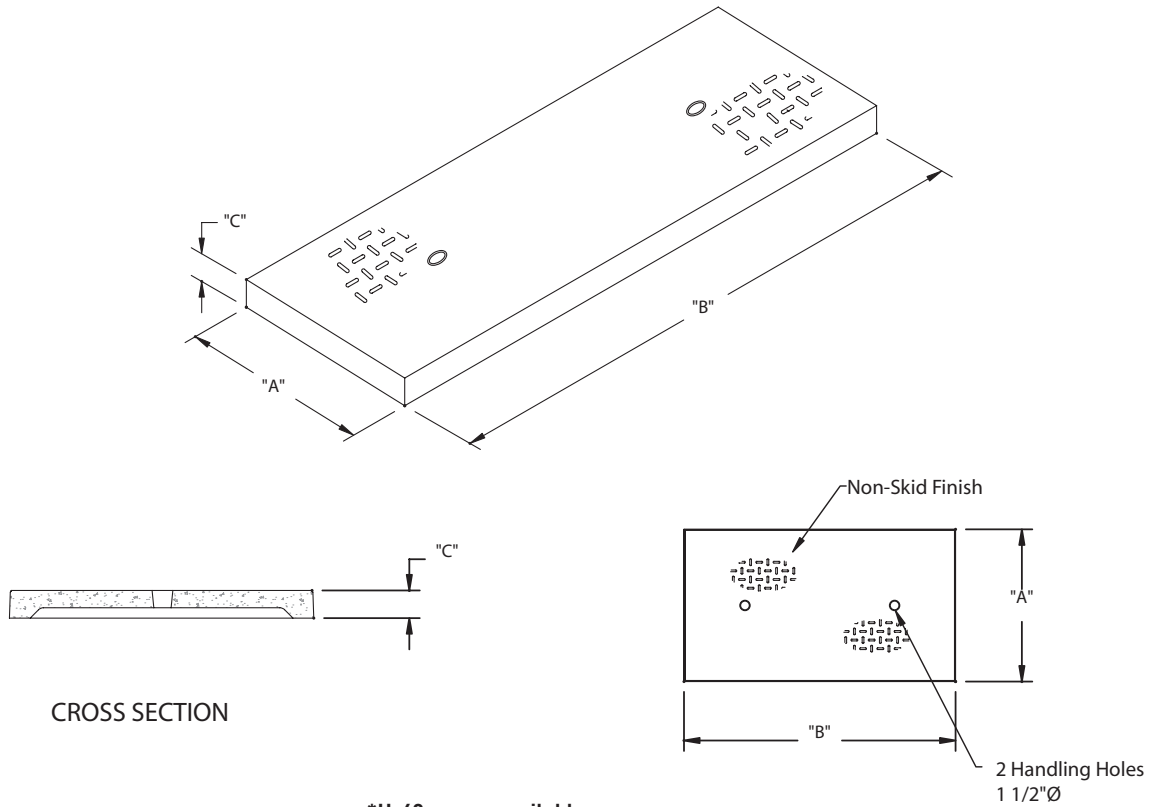
**Channel Half Cover to meet
OSHA requirements**



MODEL	"A"	"B"	"C"	WEIGHT
2012	1'-10"	1'-7 5/8"	2"	69 lb
2016	1'-10"	1'-7 5/8"	2"	69 lb
3012	11 3/4"	2'-8"	2 1/2"	95 lb
3016	11 3/4"	2'-8"	2 1/2"	95 lb

ITEMS ARE SUBJECT TO CHANGE WITHOUT NOTICE.

Channel Cover



*H-40 covers available upon request.

MODEL	"A"	"B"	"C"	"WEIGHT"
68	0'-7 1/2"	3'-3 3/8"	1 1/4"	27 lb
128	1'-2"	3'-3 3/8"	2 1/4"	82 lb
1216	1'-2"	3'-3 3/8"	2 1/4"	82 lb
2012	1'-10"	3'-3 3/8"	2"	115 lb
2016	1'-10"	3'-3 3/8"	2"	115 lb
3012	1'-11 1/2"	2'-7 7/8"	2 1/2"	130 lb
3016	1'-11 1/2"	2'-7 7/8"	2 1/2"	130 lb
4016	1'-11 5/8"	3'-5 7/8"	3"	*201 lb

* PRELIMINARY WEIGHT

ITEMS ARE SUBJECT TO CHANGE WITHOUT NOTICE.

WON'T CRACK UNDER PRESSURE!

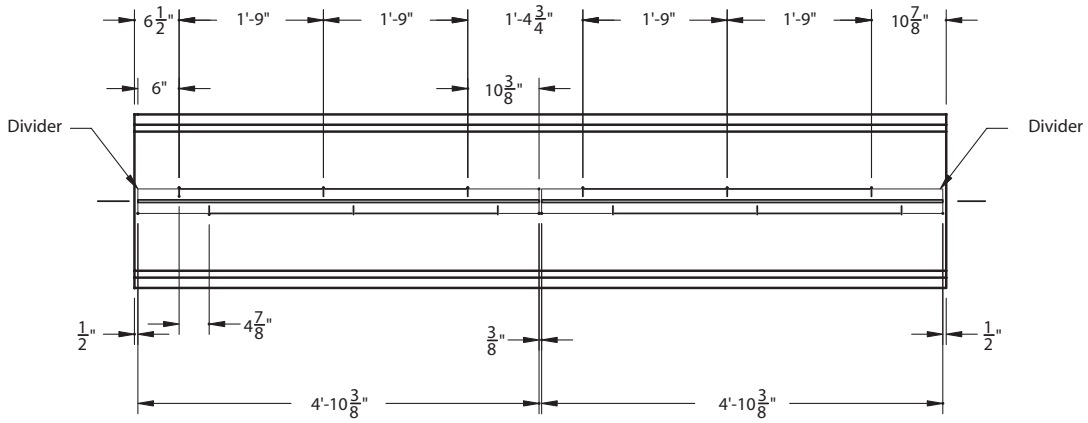
2 Inverness, Candiac
Quebec, Canada J5R 4W5

T 888.868.5214 • F 888.500.5568

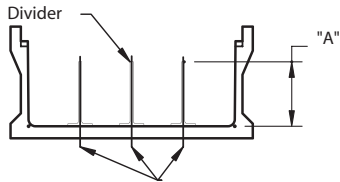
Copyright © 2010



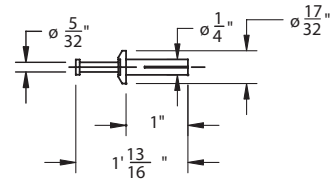
Divider



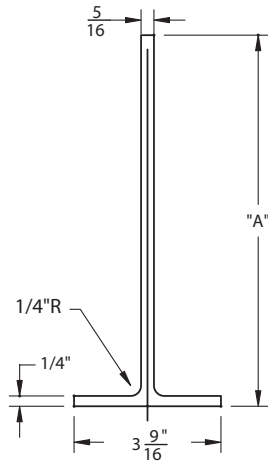
PLAN VIEW



Divider can be displaced to give desired spacing
TYPICAL SECTION



DIVIDER ANCHOR



DIVIDER DETAIL

MODEL	"A"
68	6"
128	6"
1216	12"
2012	9"
2016	12"
3012	9"
3016	12"
3016	12"

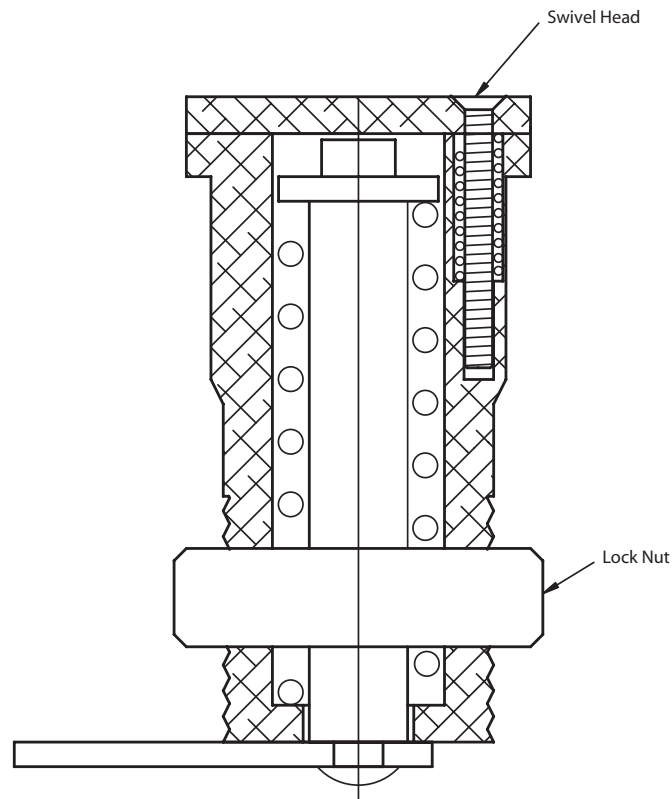
ITEMS ARE SUBJECT TO CHANGE WITHOUT NOTICE.



Oldcastle[®]
Moulded Products

PLASTIBETON[®]
CHANNEL SYSTEM

Lock Type "A"



ITEMS ARE SUBJECT TO CHANGE WITHOUT NOTICE.

WON'T CRACK UNDER PRESSURE!

2 Inverness, Candiac
Quebec, Canada J5R 4W5
T 888.868.5214 • F 888.500.5568

Copyright © 2010





Copyright © 2010

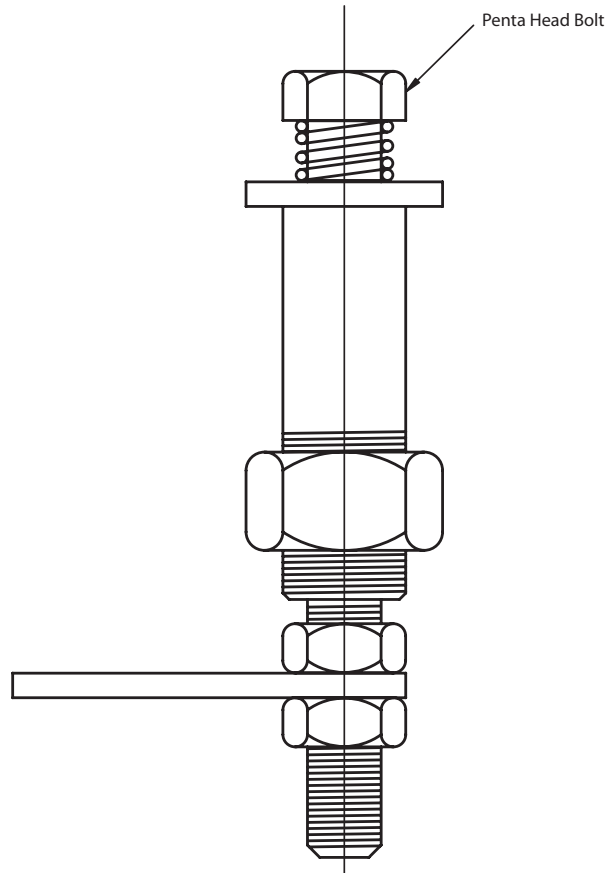


2 Inverness, Candiac
Quebec, Canada J5R 4W5

T 888.868.5214 • F 888.500.5568

A SYSTEM YOU CAN RELY ON!

Lock Type "B"



ITEMS ARE SUBJECT TO CHANGE WITHOUT NOTICE.

Copyright © 2010

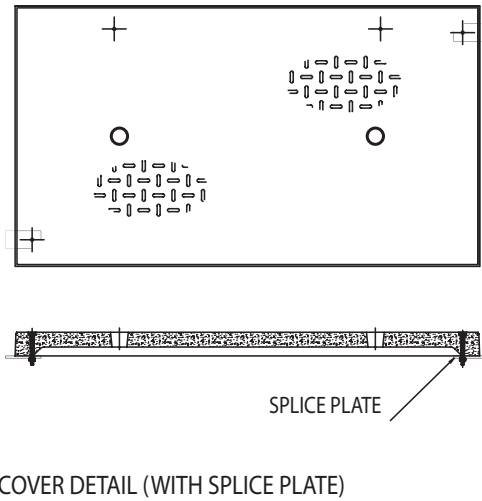
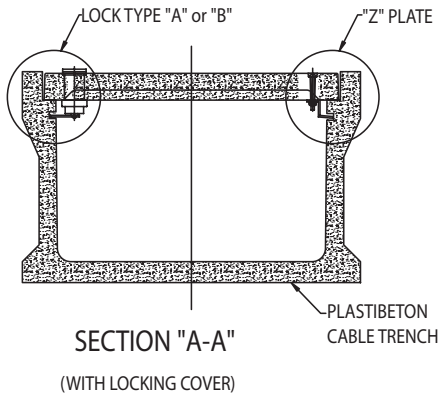
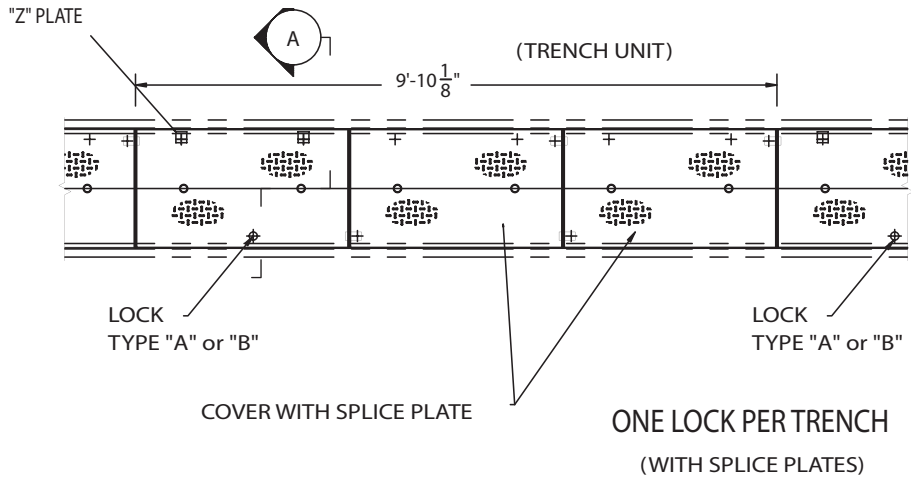


2 Inverness, Candiac
Quebec, Canada J5R 4W5

T 888.868.5214 • F 888.500.5568

A SYSTEM YOU CAN RELY ON!

Single Cover / Locking System (optional)



ITEMS ARE SUBJECT TO CHANGE WITHOUT NOTICE.

WON'T CRACK UNDER PRESSURE!

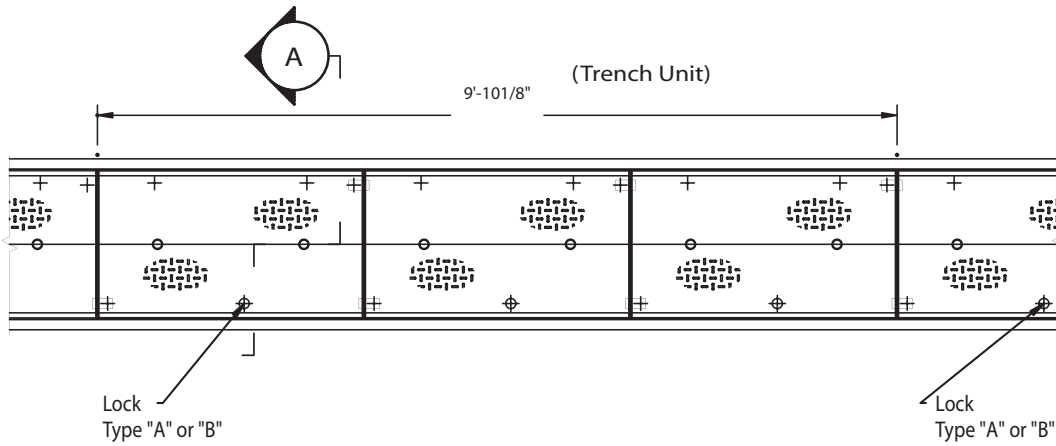
2 Inverness, Candiac
Quebec, Canada J5R 4W5

T 888.868.5214 • F 888.500.5568

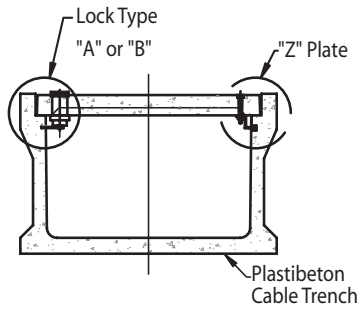
Copyright © 2010



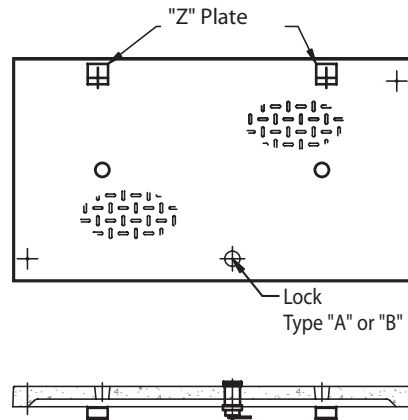
Multi Cover / Locking System (optional)



(With "Z" Plates)

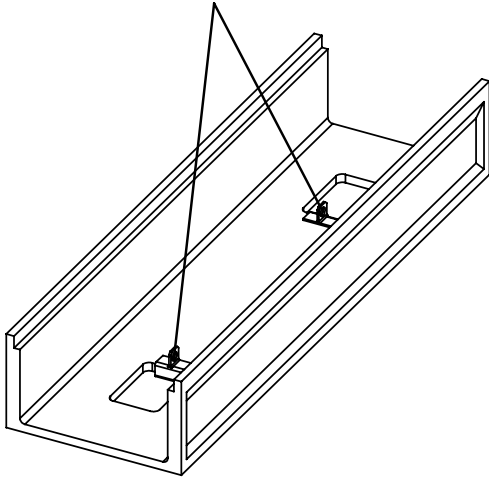


(With Locking Cover)

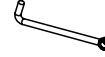


ITEMS ARE SUBJECT TO CHANGE WITHOUT NOTICE.

LIFTING HOOK



LIFTING HOOK FOR
68-128 TRENCH



LIFTING HOOK FOR
1216 TRENCH



LIFTING HOOK FOR
2012-2016 TRENCH

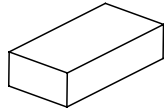


LIFTING HOOK FOR
3012-3016 TRENCH

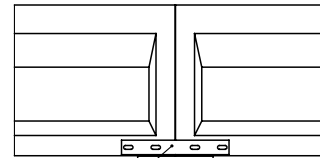
**LEVELING BLOCK
ATTACHMENT PLATE** *(available upon request)*



ATTACHMENT PLATE

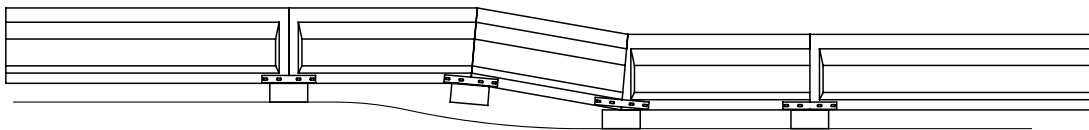


LEVELING BLOCK



ATTACHMENT PLATE

LEVELING BLOCK



FOR ALL TRENCH MODELS

ITEMS ARE SUBJECT TO CHANGE WITHOUT NOTICE.

WON'T CRACK UNDER PRESSURE!

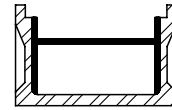
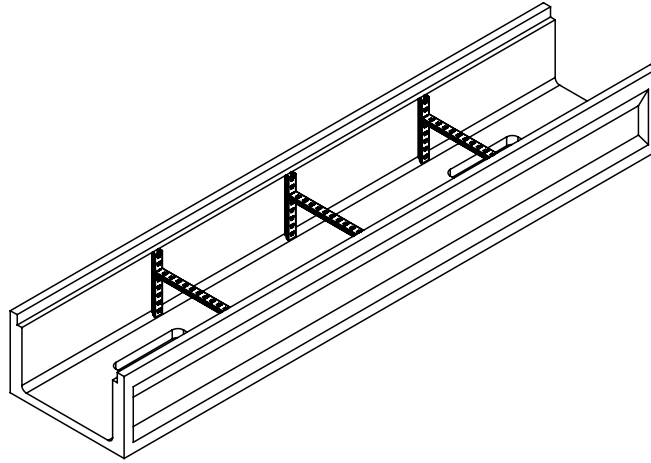
2 Inverness, Candiac
Quebec, Canada J5R 4W5

T 888.868.5214 • F 888.500.5568

Copyright © 2010

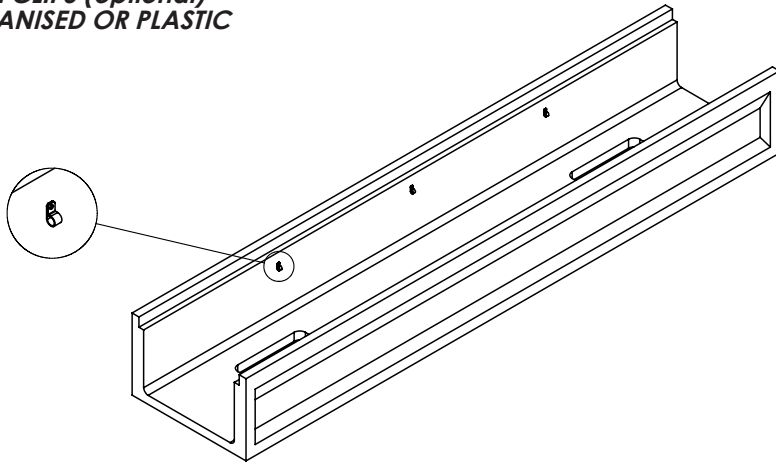


CANTRUSS / UNISTRUT (optional)



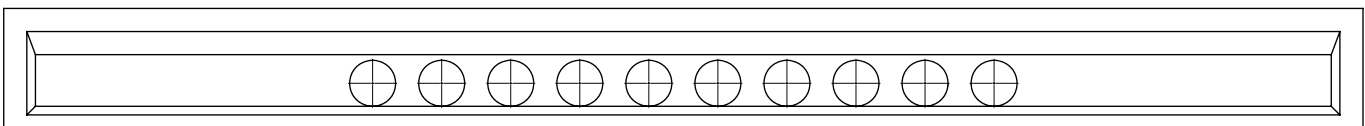
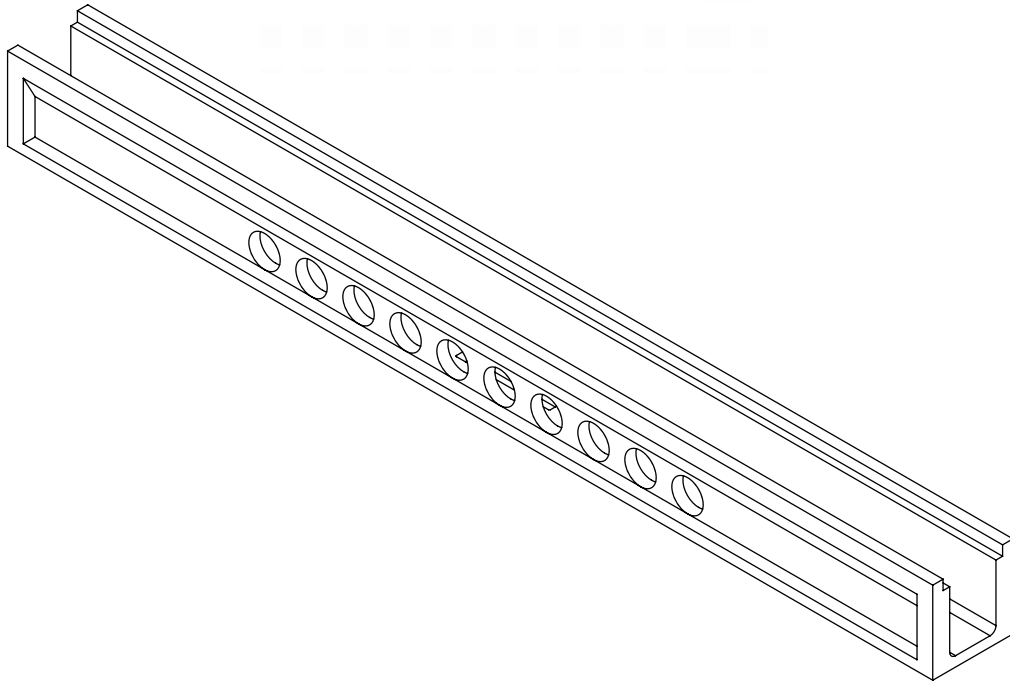
CROSS SECTION

CABLE CLIPS (optional)
GALVANISED OR PLASTIC



ITEMS ARE SUBJECT TO CHANGE WITHOUT NOTICE.

Maximum Conduit Entry
T68, T128



TRENCH

TRENCH MODELS	HOLE SIZE	SPACE BETWEEN HOLES	HOLE QUANTITY
68	2"	1"	20
68	4"	2"	10
128	2"	1"	20
128	4"	2"	10

ITEMS ARE SUBJECT TO CHANGE WITHOUT NOTICE.

WON'T CRACK UNDER PRESSURE!

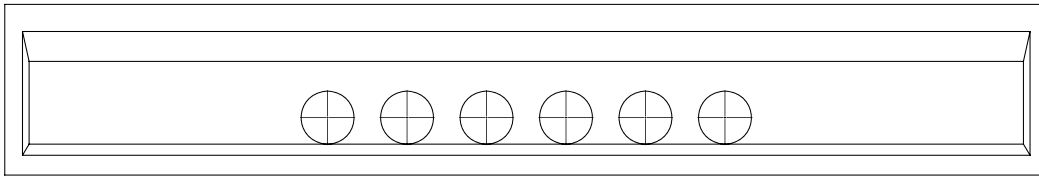
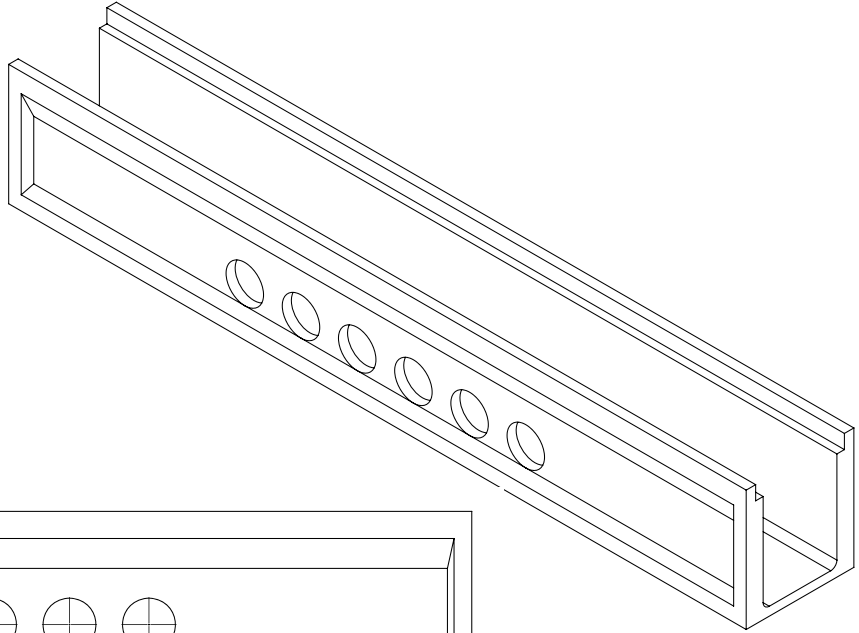
2 Inverness, Candiac
Quebec, Canada J5R 4W5

T 888.868.5214 • F 888.500.5568

Copyright © 2010



Maximum Conduit Entry
T1216, T2012, T2016, T3012
T3016 & T4016



TRENCH

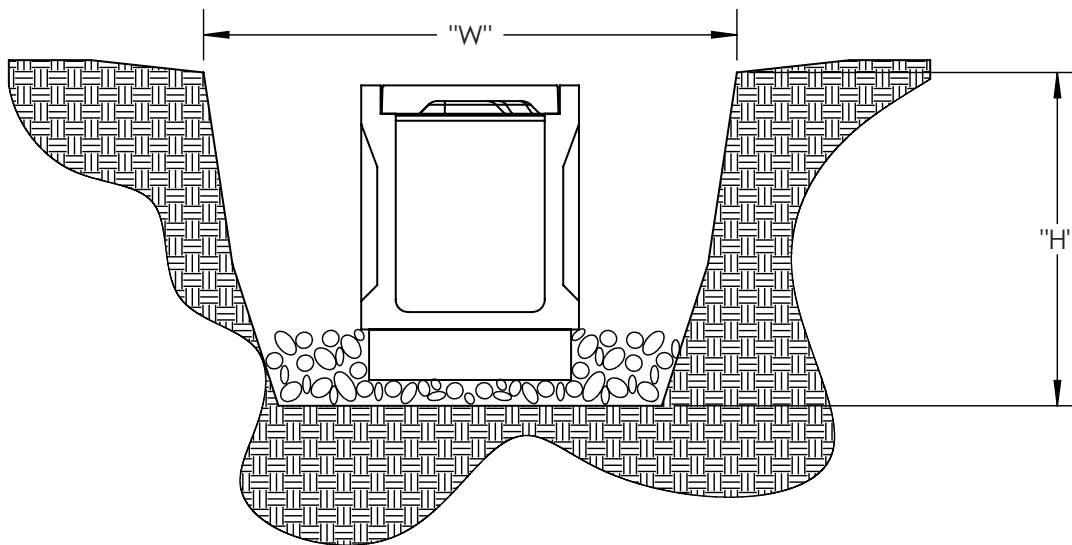
TRENCH MODELS	HOLE SIZE	SPACE BETWEEN HOLES	HOLE QUANTITY
1216	2"	1"	20
1216	4"	2"	10
1216	6"	3"	6
2012	2"	1"	20
2012	4"	2"	10
2012	6"	3"	6
2016	2"	1"	20
2016	4"	2"	10
2016	6"	3"	6
3012	2"	1"	20
3012	4"	2"	10
3012	6"	3"	6
3016	2"	1"	20
3016	4"	2"	10
3016	6"	3"	6
4016	2"	1"	20
4016	4"	2"	10
4016	6"	3"	6

ITEMS ARE SUBJECT TO CHANGE WITHOUT NOTICE.

Installation Instructions

Excavation

- * Open the trench with back hoe as per size for specific Trench Model.
- * Install a layer of firmly compacted stone 6" thick, to bring the side walls of the channel to stand 2" below the final finished grade level.



EQUIPMENT REQUIRED

- * BACK HOE
- * NYLON SLINGS WITH HOOKS
- * SHOVELS
- * TAPE MEASURE 16'/100'
- * WRECKING BAR
- * SLEDGE HAMMER
- * CORD LINE
- * LINE LEVEL

EXCAVATION SIZE CHART

MODEL	WIDTH	HEIGHT
68	36"	18"
128	45"	18"
1216	45"	27"
2012	50"	24"
2016	50"	27"
3012	60"	24"
3016	60"	27"
4016	70"	27"

ITEMS ARE SUBJECT TO CHANGE WITHOUT NOTICE.

WON'T CRACK UNDER PRESSURE!

2 Inverness, Candiac
Quebec, Canada J5R 4W5

T 888.868.5214 • F 888.500.5568

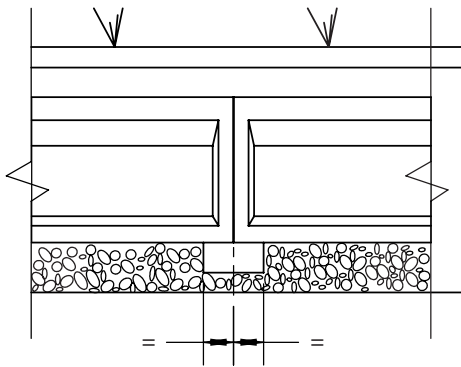
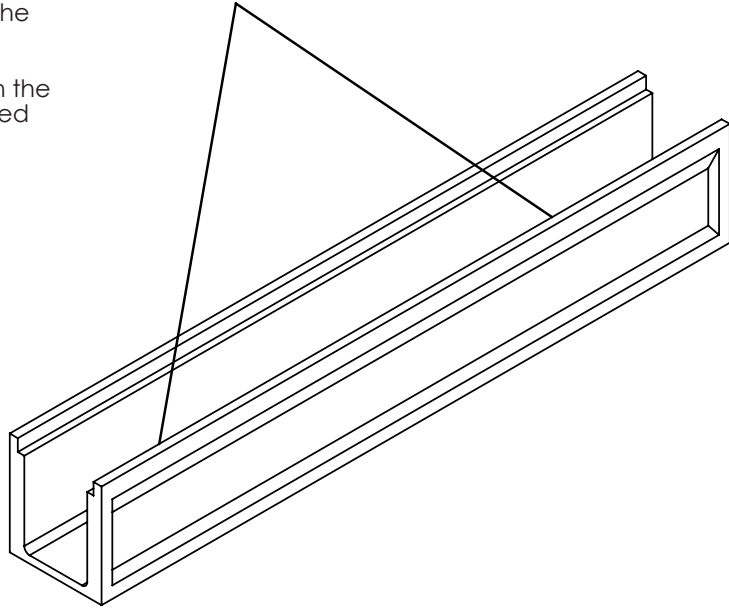
Copyright © 2010



Installation Instructions

Handling

- * Using mechanized equipment and a lifting harness or slings fitted with channel lifting devices (see accessories) inserted in drainage holes, set the channels in place.
- * The channels are butted-joined to each other on the leveling blocks, each channel should be supported for 4" on the leveling blocks at joints.



WEIGHT CHART
HDPC H-20 TRENCH

MODEL	WEIGHT
68	402 lb
128	595 lb
1216	920 lb
2012	922 lb
2016	1030 lb
3012	1260 lb
3016	1400 lb
4016	1485 lb*

*PRELIMINARY WEIGHT

ITEMS ARE SUBJECT TO CHANGE WITHOUT NOTICE.

Copyright © 2010



2 Inverness, Candiac
Quebec, Canada J5R 4W5

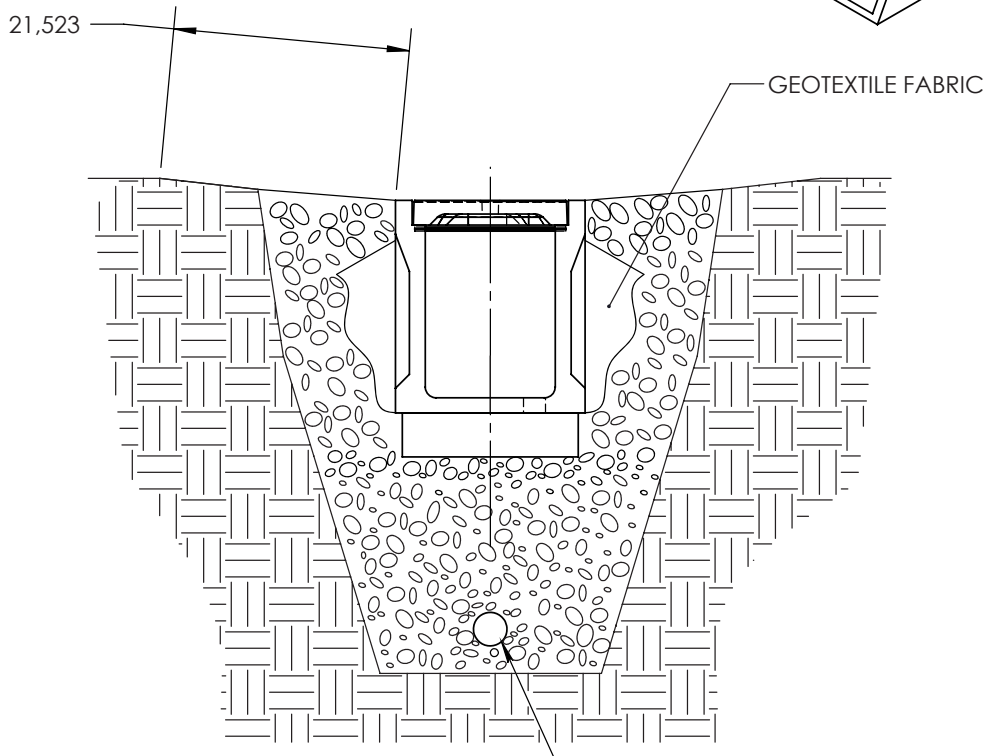
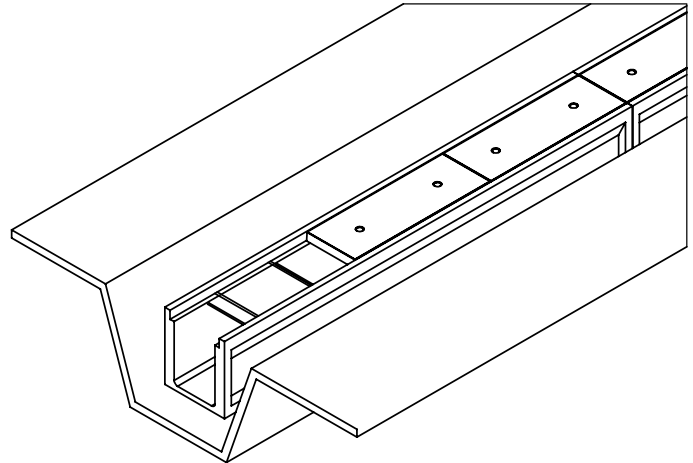
T 888.868.5214 • F 888.500.5568

A SYSTEM YOU CAN RELY ON!

Installation Instructions

Leveling

- * Finish tamping the earth against the channel side walls and finish stone. Channel top set at 2" below final grade level.
- * Install protection rods.
- * Cover channels with HDPC covers (3 per full section of channel) (5 covers for model 3012) using cover lifting hooks, (2) provided.
- * **Covers should not overlap two trench sections.**



WEIGHT CHART
HDPC H-20 COVERS

MODEL	WEIGHT
68	27 lb
128	82 lb
1216	82 lb
2012	115 lb
2016	115 lb
3012	123 lb
3016	123 lb
4016	201 lb*

*PRELIMINARY WEIGHT

ITEMS ARE SUBJECT TO CHANGE WITHOUT NOTICE.

WON'T CRACK UNDER PRESSURE!

2 Inverness, Candiac
Quebec, Canada J5R 4W5

T 888.868.5214 • F 888.500.5568

Copyright © 2010





WON'T CRACK UNDER PRESSURE!

2 Inverness, Candiac
Quebec, Canada J5R 4W5
T 888.868.5214 • F 888.500.5568

Copyright © 2010





SUGGESTED MATERIAL SPECIFICATIONS

Property

- Compressive strength
- Modulus of elasticity in compression
- Modulus of rupture
- Direct tensile strength
- Punching shear
- Creep behaviour in flexure
- Impact strength
- Coefficient of expansion/contractor
- Water absorption
- Specific gravity
- Fire resistance

Test Method

ASTM C-170
ASTM C-469
ASTM C-99
ASTM C-190
ASTM D-617

ASTM B-95
ASTM C-97
ASTM C-97
ASTM E-84
NFPA 130

Test Result

Min. 17,000 psi
Min. 6.0×10^6 psi
Min. 5,800 psi
Min. 1,600 psi
Min. 6,000 psi
No effect at 60%
of rupture after 2 months
Min. 34 in-lb
Max. 7×10^6 °F⁻¹
Max. 0.31%
150 lb/ft³ 2.40
FSI 5 SD 30
Passed

- Freeze/thaw resistance 1000 cycles
- Scaling resistance 100 cycles

ASTM C-666
ASTM C-672

No change
No change

- Sulphuric acid (50%)
- Sodium hydroxide (5%)
- Sodium sulphate (10%)
- Sodium chloride (26%)

No significant change
No significant change
No significant change
No significant change

American Society for Testing and Materials

ASTM C-170	ASTM D-167
ASTM C-469	ASTM B-95
ASTM C-90	ASTM C-97
ASTM C-190	ASTM E-84
ASTM C-617	ASTM C-666

SUGGESTED SPECIFICATIONS

GENERAL

1. The _____ shall design, furnish, and install a continuous cable trough, as specified herein and shown on the contract drawings. The cable trough shall be furnished within project limits. All signal, power, control and communication cables shall be installed in the cable trough in accordance with the detailed design, as approved by the engineer.
2. **Material - Construction Cover and Trough**
 - a) The cable trough shall be Plastibeton[®] as manufactured by Oldcastle Moulded Products, or approved equal.
 - b) Material for cable trough and cover shall be a dielectric material, High Density Polymer Concrete. Material shall conform to the Suggested Material Specifications.
 - c) The cable trough shall be totally nonporous and shall resist the degrading action of freeze/thaw cycles. The material shall also be unaffected by grease, oil, and salt.
 - d) The cover material shall be of a dielectric characteristic, non-metallic, and shall be reinforced with Sheet Moulding Compound for impact resistance. Cover shall be designed to withstand excessive loadings and not shatter under duress.
 - e) The weight of each cover shall not exceed the allowable handling weight as per OSHA requirements.
 - f) Cover shall sit inside the trench to allow flush to grade installation.
 - g) The cable trough system shall include the U-shaped channel, covers and all necessary fittings.

Model 68 – Cover	27 lb
Model 128 / 1216 – Cover	82 lb
Model 2012 / 2016 – Cover	115 lb
Model 3012 / 3016 – Cover	123 lb
Model 4016 – Cover	201 lb

- h) The cable trough shall be of the self supporting type equipped with easy access covers.
- i) Cable trough shall have no interior permanent exposed steel components to support the cable trough sidewalls or cable trough covers. Cable trough must be able to support vehicular sidewall pressures and loads during initial installation and during the entire construction period without additional interior permanent exposed steel components.
- j) The cable trough including the Polymer Concrete covers shall be rated to support a minimum load of 40,000 lb without failure, H2O loading.

WON'T CRACK UNDER PRESSURE!

2 Inverness, Candiac
Quebec, Canada J5R 4W5

T 888.868.5214 • F 888.500.5568

Copyright © 2010



- k) Cable trough and cover shall be subjected to cycle testing to simulate vehicular traffic. Cover shall support 20,800 lb over a 10 x 10 sq. in., load applied 50 times and then final load applied anywhere on the cover until failure. Minimum failure point to be no less than 40,000 lb.
- l) The cable trough can be provided with integral dividers installed as per the end users location detail. Divider shall be manufactured utilizing Sheet Moulding Compound and be designed to support lateral loads from cables without any structural warping or deflections. Installation hardware shall be stainless bolts, round head, and countersunk to prevent any damage to cable sheathing.

3. Installing Cable Trough

- a) The cable trough shall be installed by the contractor within the excavated trench as specified, on locations shown on the contract drawings, and as specified herein.
- b) The trench shall allow for the installation of crushed stone under and on the sides of the trough in accordance with the approved manufacturer's recommendations and as approved by the Engineer.

RAILROAD APPLICATIONS

- The cable trough shall be installed with the top of the cable trough at least one inch below the bottom of all adjacent railroad ties.
- In unballasted areas that are unaffected by rail renewal programs, the cable trough shall be installed with the top of the cable trough one inch below the finished grade.
- In ballasted areas unaffected by rail replacement programs, the cable trough shall be installed as that the ballast can be tamped using heavy equipment without disturbing the cable trough. The ballast shall be so graded to allow free access to the cover of the cable trough.
 - Using a transit, prepare a line grade to set the channel at a level in the excavation.
 - If utilizing leveling blocks, place leveling blocks on compacted even surface, backfill around and to the height of leveling block and compact once again. Ensure that area between leveling blocks are leveled with no "hills or valleys" to guarantee a level surface.
 - Set the units into place on leveling blocks. The alignment of the sections shall be made with an instrument.
 - Backfill material placed on each side of the channel shall be done simultaneously. The backfill material shall be placed in four inch lifts and compacted.
 - Complete tamping the earth against the channel sidewalls and finish to final grade level with proper compactable materials.
 - Channel and covers must be maneuverable and can be cut on site with standard cutting equipment.
 - All backfill material shall be specified in Section 2M, Excavation - No Saturated Materials, no Ice.
 - Keep trench free and clear of construction debris, rocks, and earth or backfill materials. Remove foreign materials from trench prior to placing cables and covers.



Copyright © 2010



2 Inverness, Candiac
Quebec, Canada J5R 4W5

T 888.868.5214 • F 888.500.5568

A SYSTEM YOU CAN RELY ON!



WON'T CRACK UNDER PRESSURE!

2 Inverness, Candiac
Quebec, Canada J5R 4W5
T 888.868.5214 • F 888.500.5568

Copyright © 2010



BRIDGE DECK COVERS PEDESTRIAN RATED REPLACEMENT COVERS

APPLICATIONS

Replacement Covers

Plastibeton[®] Pedestrian Covers are utilized as replacement covers for existing deteriorating pedestrian concrete covers. Designed to fit any existing concrete trench system the Plastibeton[®] Covers are more durable and longer lasting than conventional concrete covers. Plastibeton[®] Covers can match existing covers in dimensions yet will be designed to be considerably lighter for easier handling. Plastibeton[®] Covers are non flammable, dielectric and are provided with a non slip finish.

Bridge Deck Covers

Plastibeton[®] Bridge Deck covers are designed to support pedestrian load ratings, 300 pounds per square foot. These bridge deck covers are installed on top of the cast in place trench on bridges and are used as the emergency walk way. Light weight, slip resistant, these covers can be locked into place for security purposes.

2 Inverness, Candiac
Quebec, Canada J5R 4W5

T 888.868.5214 • F 888.500.5568

Copyright © 2010





Copyright © 2010



2 Inverness, Candiac
Quebec, Canada J5R 4W5

T 888.868.5214 • F 888.500.5568

A SYSTEM YOU CAN RELY ON!



WON'T CRACK UNDER PRESSURE!

2 Inverness, Candiac
Quebec, Canada J5R 4W5
T 888.868.5214 • F 888.500.5568

Copyright © 2010





Copyright © 2010



2 Inverness, Candiac
Quebec, Canada J5R 4W5

T 888.868.5214 • F 888.500.5568



2 Inverness, Candiac
Quebec, Canada J5R 4W5
T 888.868.5214 • F 888.500.5568

Copyright © 2010





2 Inverness, Candiac
Quebec, Canada J5R 4W5

T 888.868.5214 • F 888.500.5568

Copyright © 2010





Copyright © 2010



2 Inverness, Candiac
Quebec, Canada J5R 4W5

T 888.868.5214 • F 888.500.5568



2 Inverness, Candiac
Quebec, Canada J5R 4W5

T 888.868.5214 • F 888.500.5568

Copyright © 2010





Copyright © 2010



2 Inverness, Candiac
Quebec, Canada J5R 4W5

T 888.868.5214 • F 888.500.5568



2 Inverness, Candiac
Quebec, Canada J5R 4W5

T 888.868.5214 • F 888.500.5568

Copyright © 2010





Copyright © 2010



2 Inverness, Candiac
Quebec, Canada J5R 4W5

T 888.868.5214 • F 888.500.5568



2 Inverness, Candiac
Quebec, Canada J5R 4W5

T 888.868.5214 • F 888.500.5568

Copyright © 2010





Copyright © 2010



2 Inverness, Candiac
Quebec, Canada J5R 4W5

T 888.868.5214 • F 888.500.5568



2 Inverness, Candiac
Quebec, Canada J5R 4W5

T 888.868.5214 • F 888.500.5568

Copyright © 2010





Copyright © 2010



2 Inverness, Candiac
Quebec, Canada J5R 4W5

T 888.868.5214 • F 888.500.5568



2 Inverness, Candiac
Quebec, Canada J5R 4W5
T 888.868.5214 • F 888.500.5568

Copyright © 2010



ISO 9001 : 2008



Oldcastle®
Moulded Products

2 Inverness Street, Candiac, Quebec, Canada J5R 4W5
Tel.: 1.888.868.5214
Fax: 1.888.500.5568

www.oldcastleprecast.com/enclosuresolutions