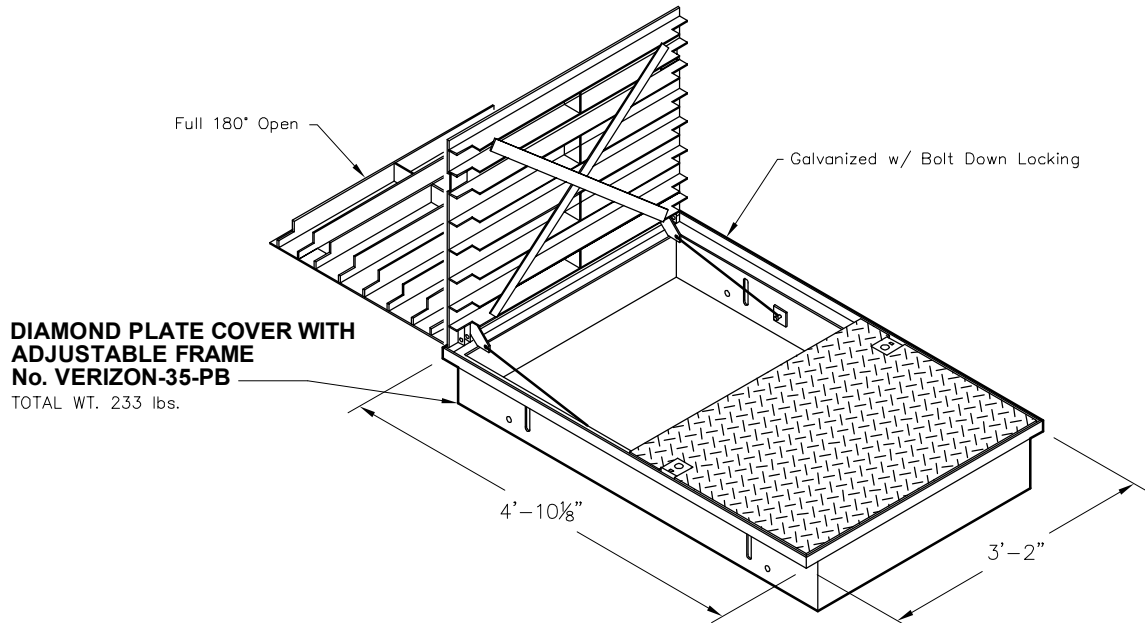
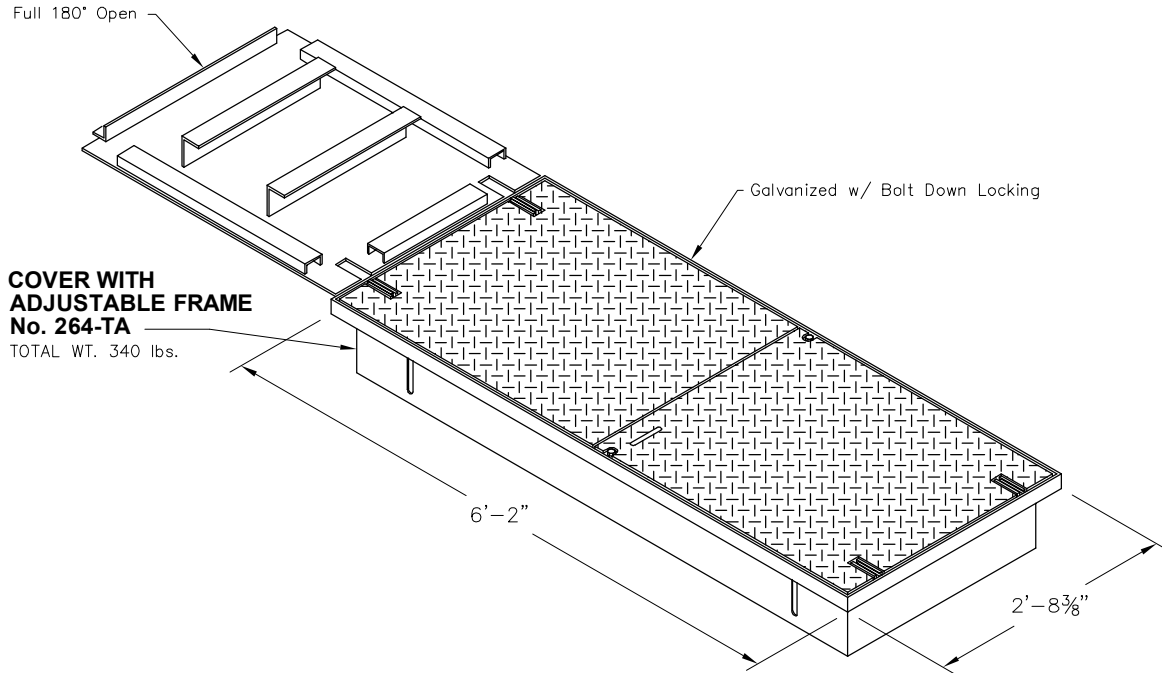


Covers & Lids

**Leading U.S. Manufacturer of
Precast Concrete**

COVERS & LIDS SECTION**PAGE**

264 & 35 COVER PLATES & FRAMES.....	264 FC	CL-1
332P, 2-332P, & 3-332P COVER PLATES & FRAMES.....	332 FC	CL-2
42" OPENING CAST IRON SOLID W/VENT COVER & FRAME.....	4220 FC	CL-3
5'x10' GRATES WITH 5'-7"X10'-7" FRAME.....	5010-H20 F&G	CL-4
REMOVABLE SLAB, GRATE & 8'X4'-6" FRAME.....	5496-H10	CL-5
REMOVABLE SLAB, GRATE & 8'X4'-6" FRAME.....	5496-H20	CL-6
5'X6' GRATES W/ 10'X5'-6" FRAME.....	5610-H20	CL-7
CAST IRON FRAMES & COVERS.....	CASTINGS	CL-8
3'-4"X3'-6" CURB COVER & FRAME.....	CURB COVER	CL-9
1012-P, 3030-P, & 2436-P COVER PLATES & FRAMES.....	DP COVERS	CL-10
LW ACCESS HATCH H10 LOAD RATING.....	LW HATCHES	CL-11
QWEST FRAMES & COVERS.....	QWEST FRAMES	CL-13
QWEST EXTENSION RING.....	QWEST EXTENSION RING	CL-14

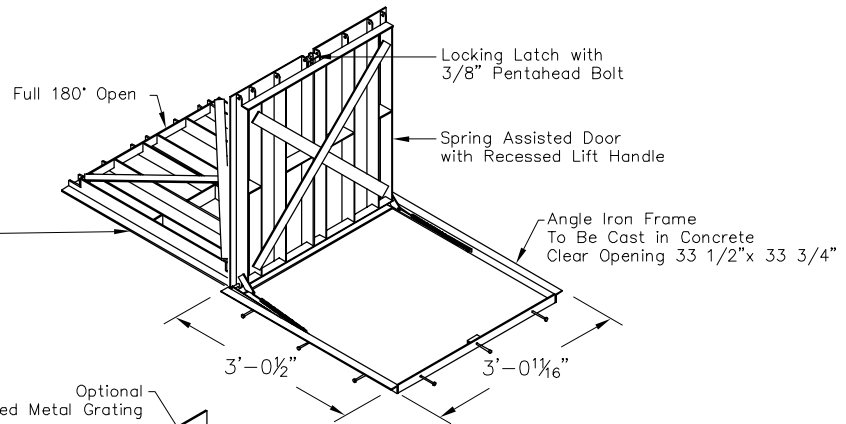


LOADING:
Suitable For H-20 Wheel Loading In Off-Street Locations
Where Not Subjected To High-Density Traffic.

Non Skid Covers Available

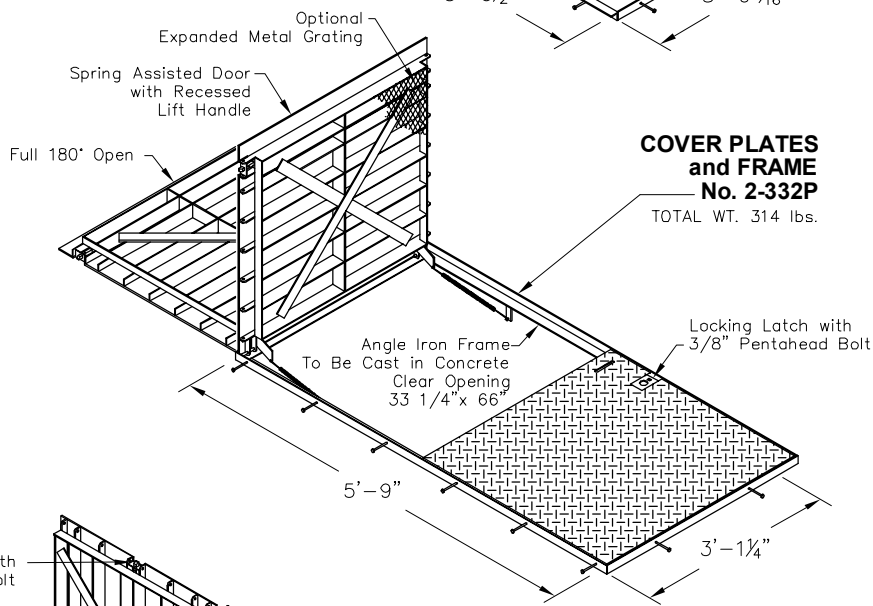
**COVER PLATE
and FRAME
No. 332P**

TOTAL WT. 140 lbs.



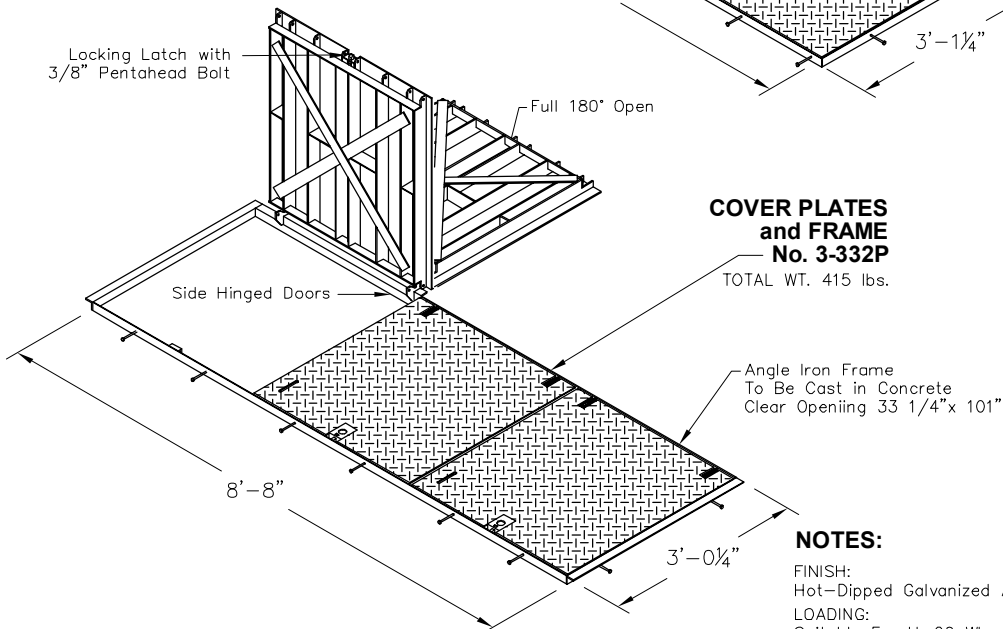
**COVER PLATES
and FRAME
No. 2-332P**

TOTAL WT. 314 lbs.



**COVER PLATES
and FRAME
No. 3-332P**

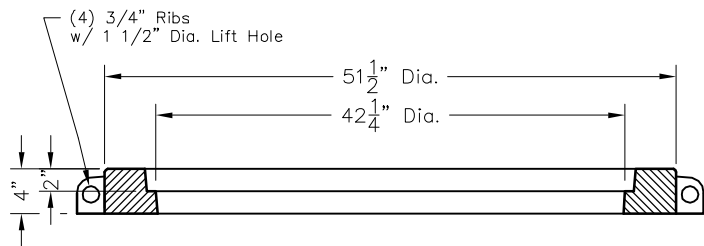
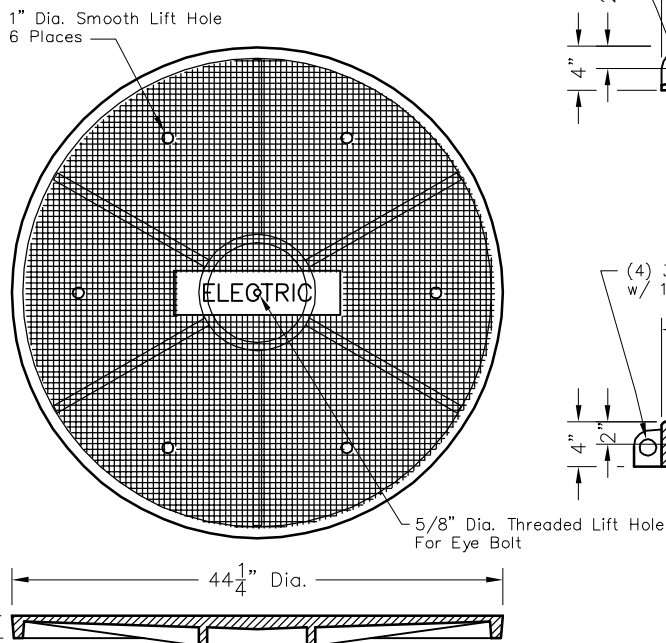
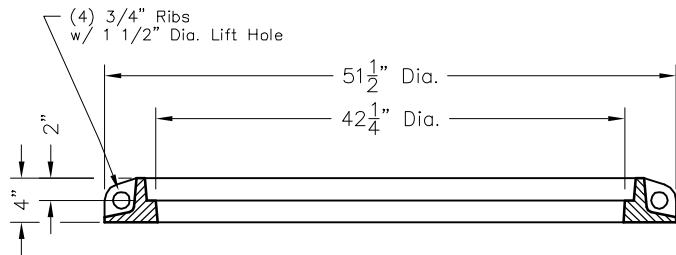
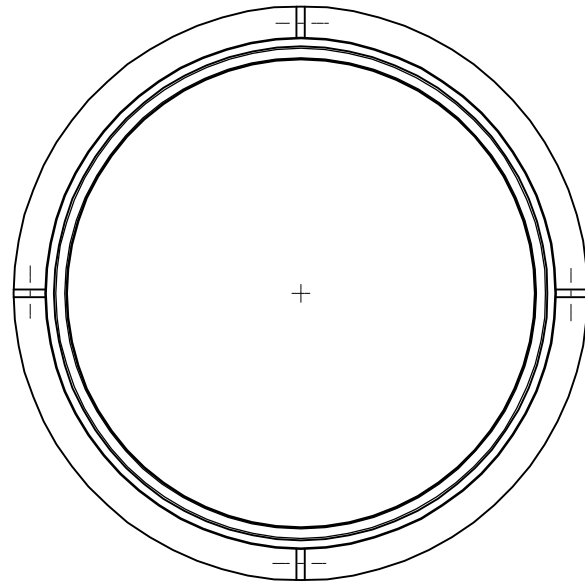
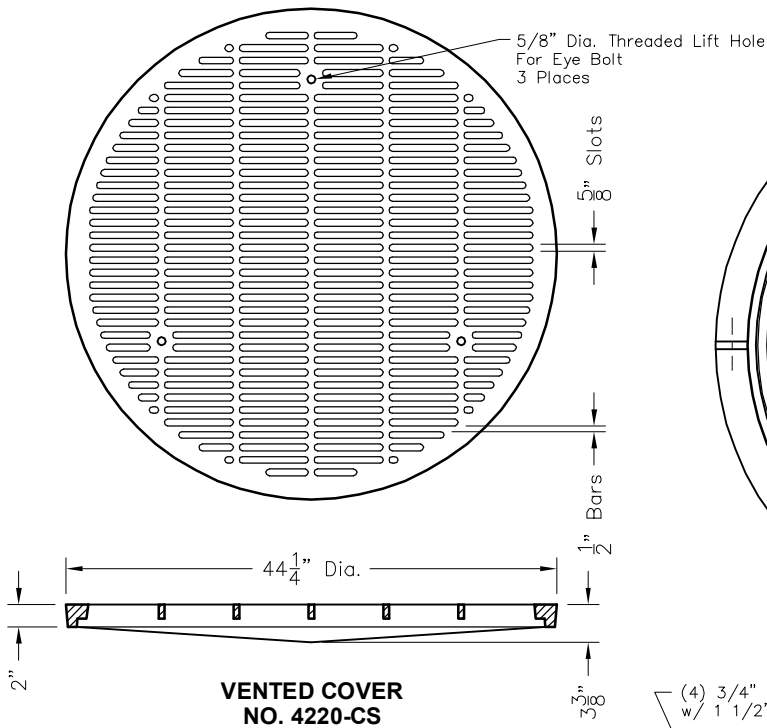
TOTAL WT. 415 lbs.



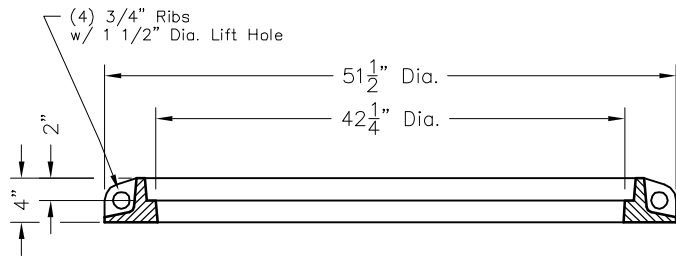
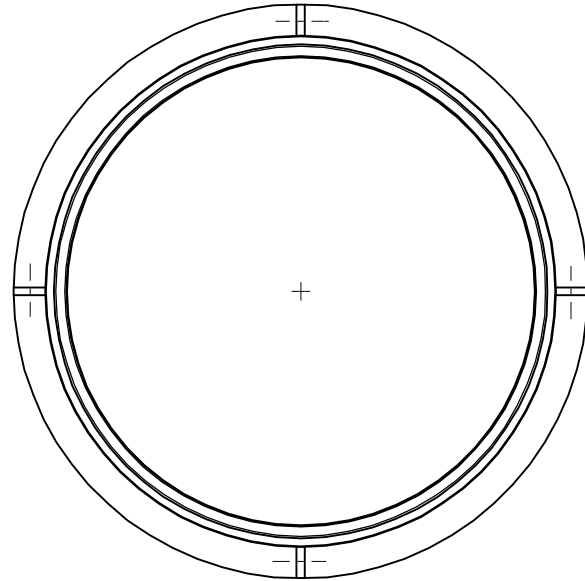
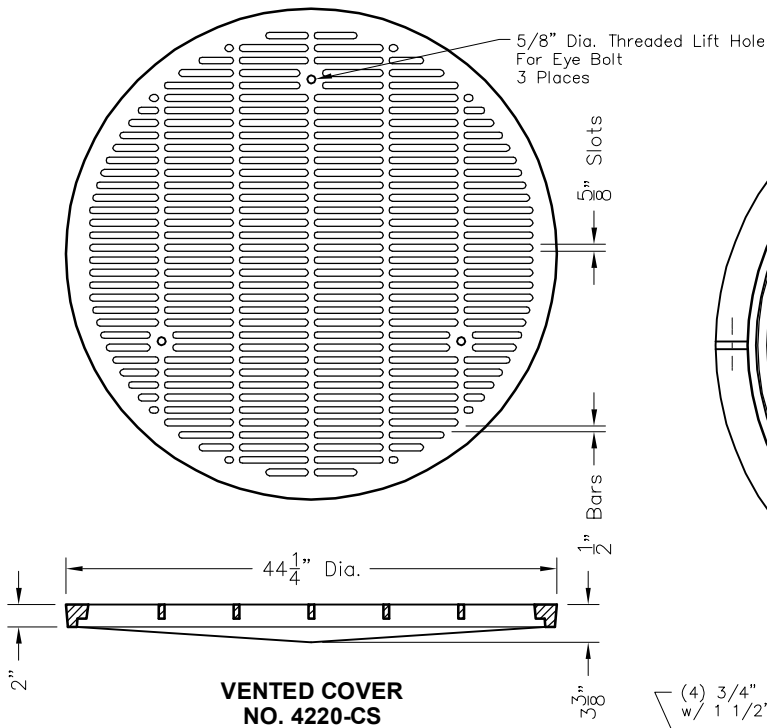
NOTES:

FINISH:
Hot-Dipped Galvanized After Fabrication
LOADING:
Suitable For H-20 Wheel Loading In Off-Street Locations
Where Not Subjected To High-Density Traffic.

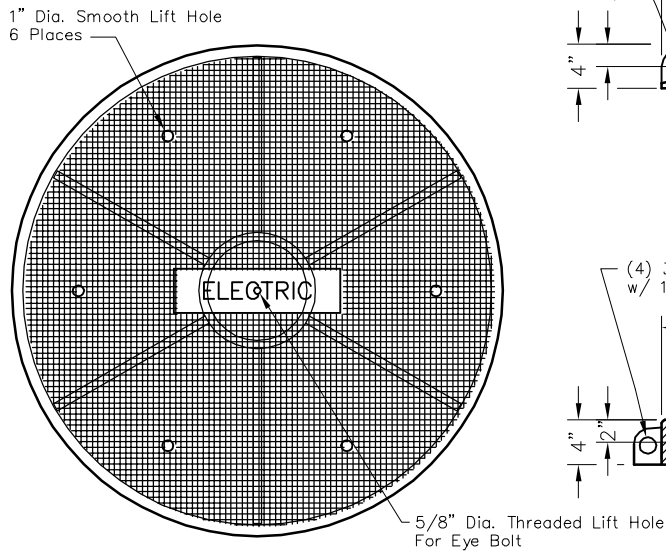
Non Skid Covers Available



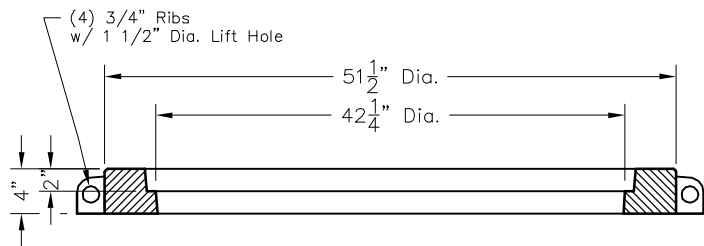
Clear Opening: 42 1/4"
Design Loading: AASHTO H-20
Net Ventilation Area: 700 sq. in.



**FRAME
NO. 4210-4220**
305 lbs.

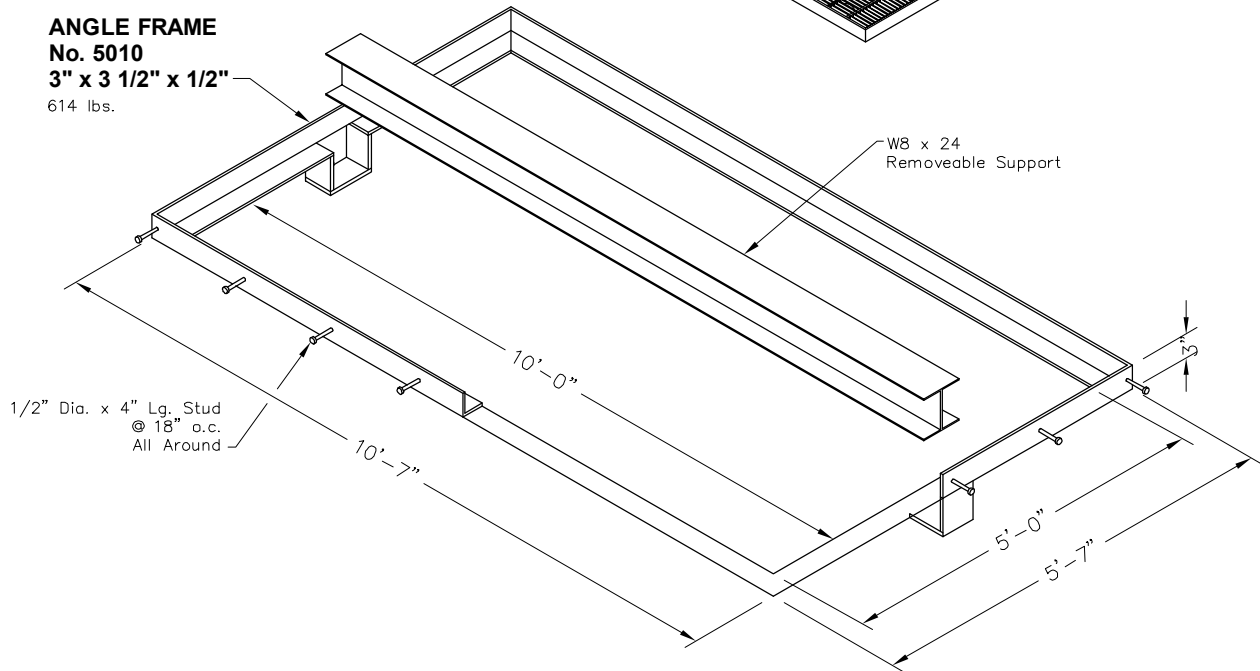
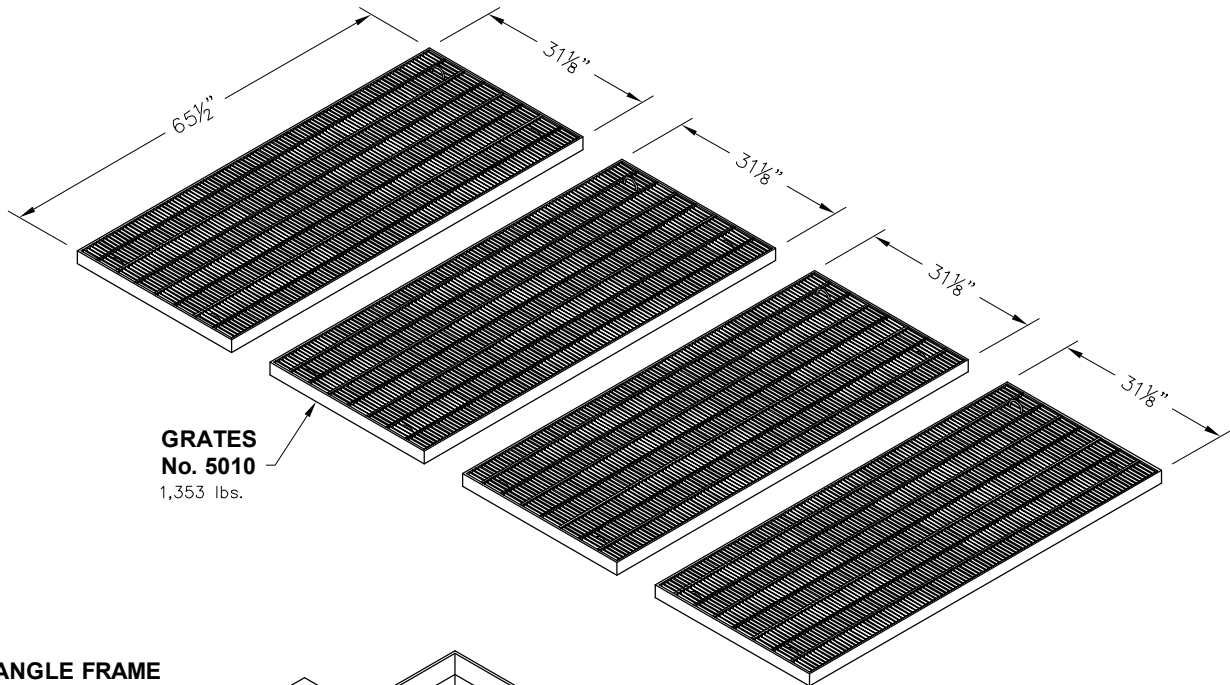


**SOLID COVER
NO. 4220-S**
600 lbs.



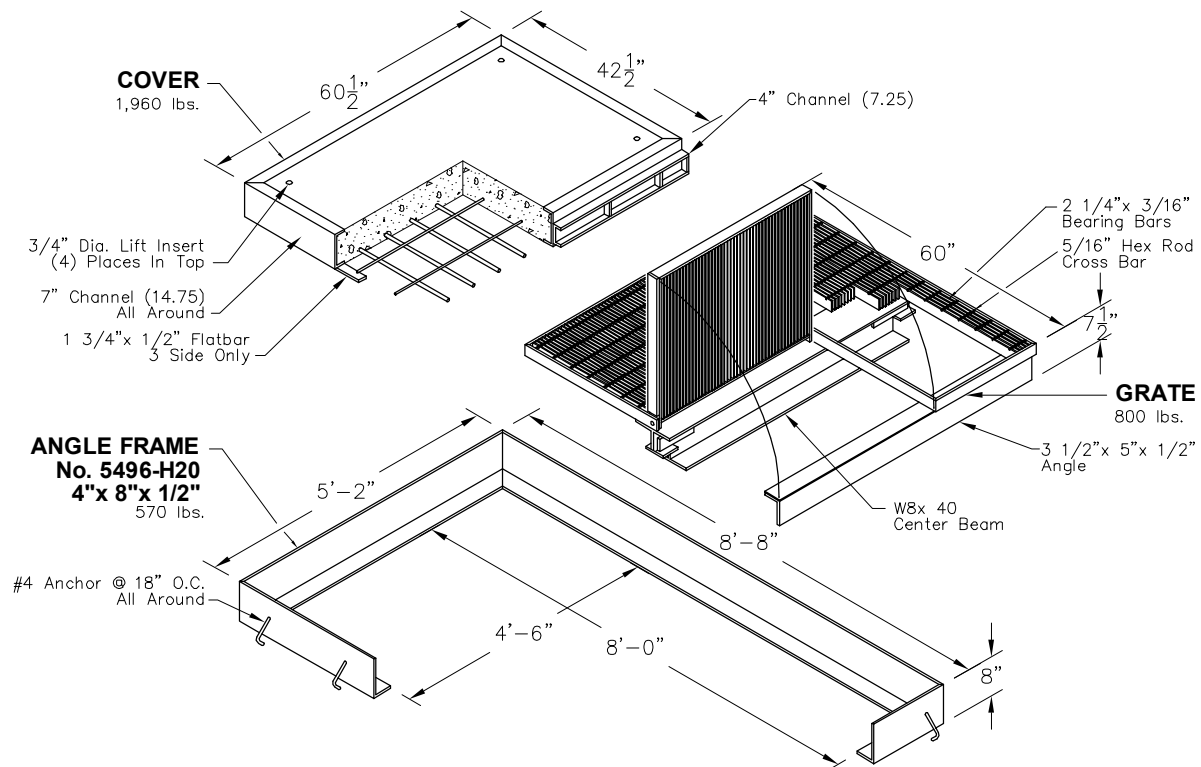
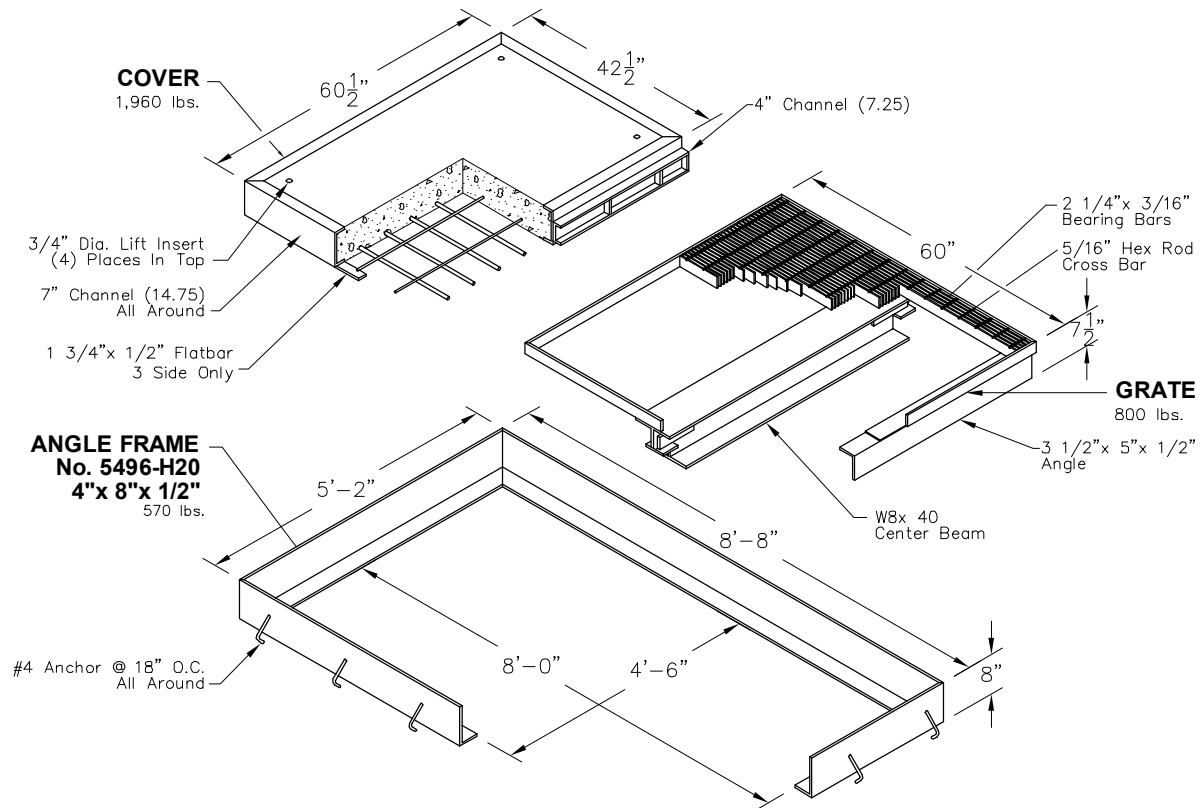
**FRAME
NO. 4220-HD**
680 lbs.

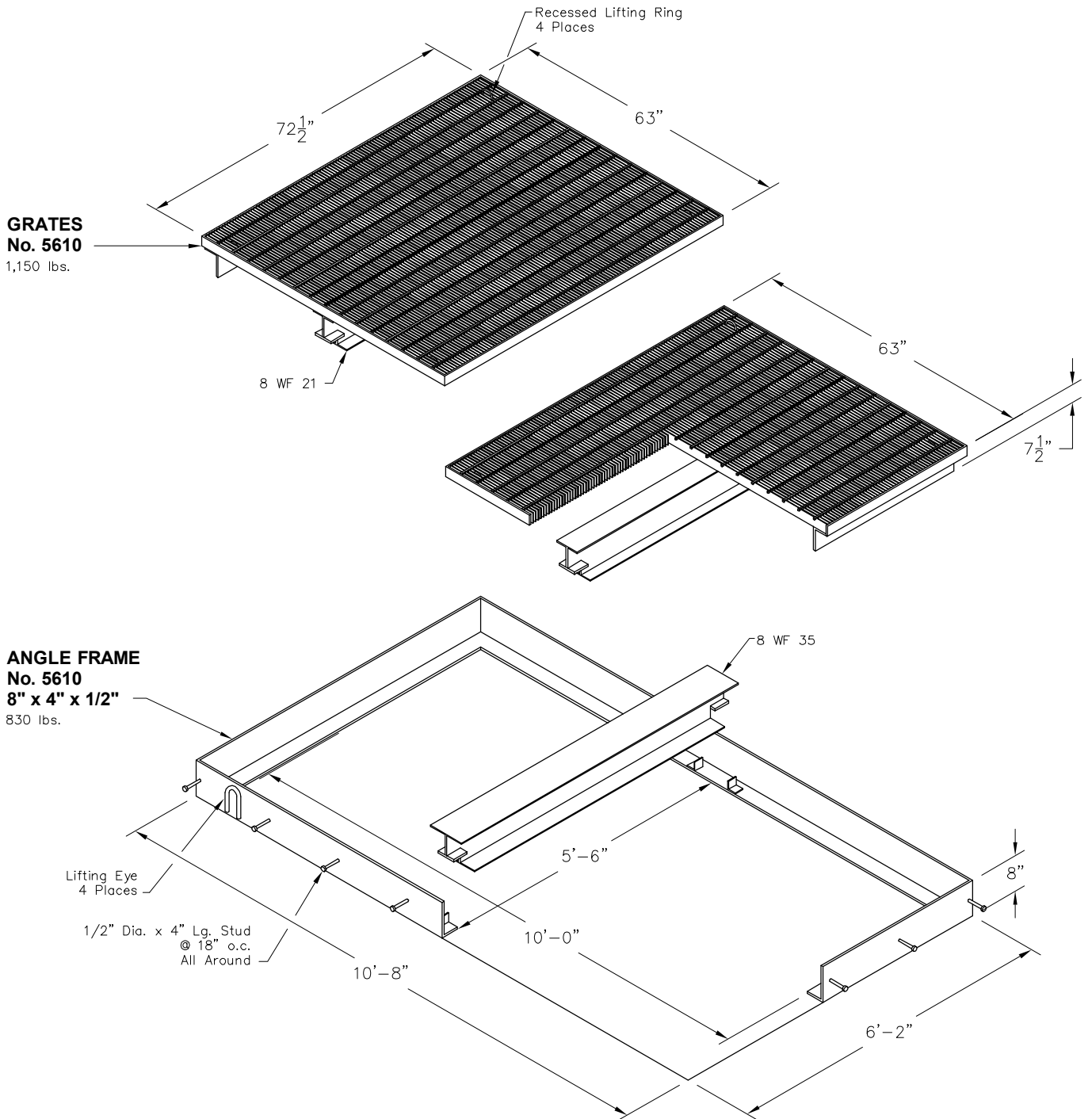
Clear Opening: 42 1/4"
Design Loading: AASHTO H-20
Net Ventilation Area: 700 sq. in.



Grate Options
Standard Spacing - 1"
ADA Comply - 1/2"
Heel Proof - 1/4"

HS-20 Load Rating



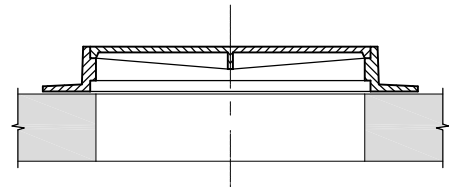
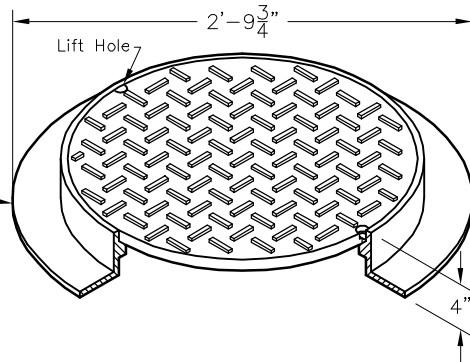


Net Ventilation Area: 3,024 Sq. In.

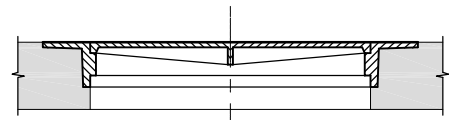
**CASTING
 24" x 4"**

Total Wt. = 300 lbs.

24" Dia. Clear Opening
 Reversible Frame
 (Flange Up or Flange Down)



Flange Down Installation

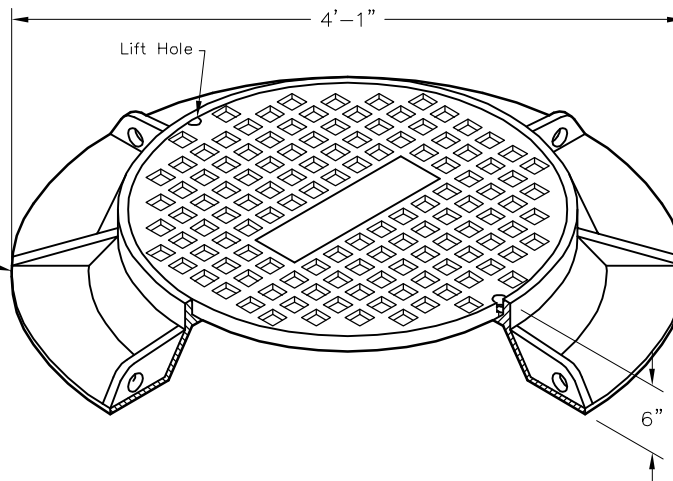


Flange Up Installation

**CASTING
 30" x 6"**

Total Wt. = 570 lbs.

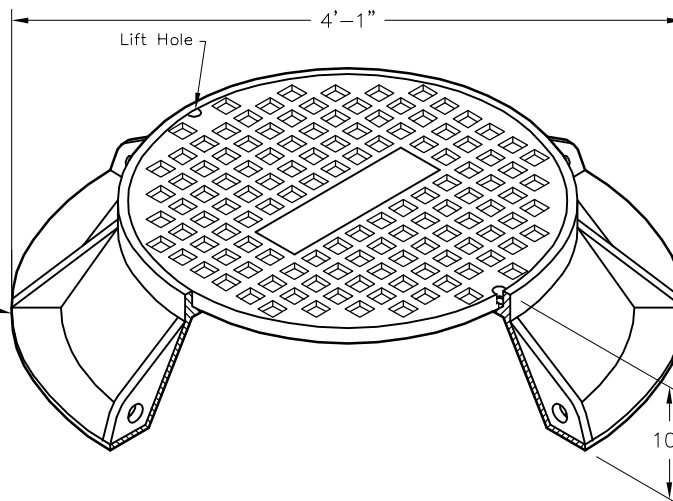
30" Dia. Clear Opening
 Flange Down



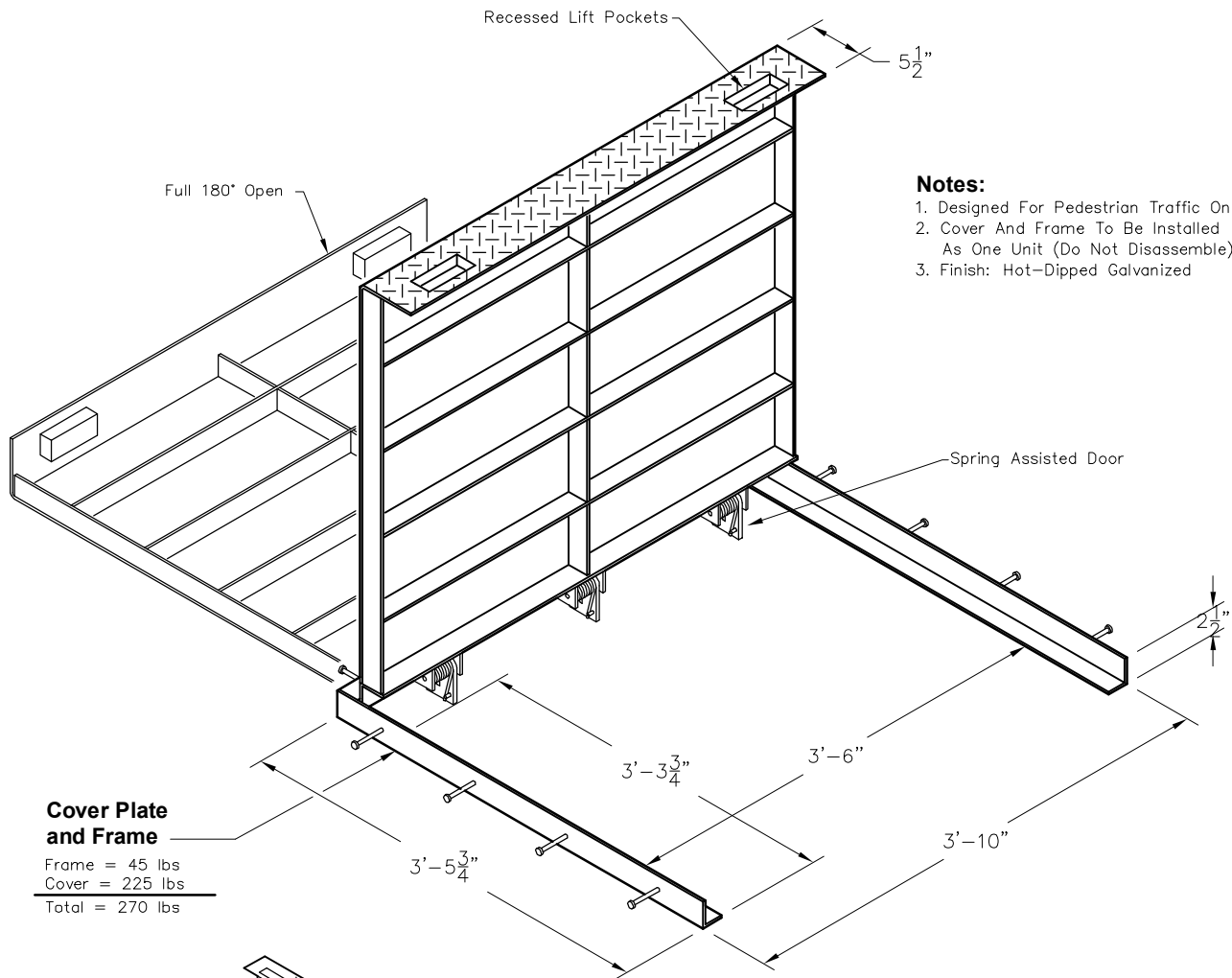
**CASTING
 30" x 10"**

Total Wt. = 630 lbs.

30" Dia. Clear Opening
 Flange Down



Note:
 Castings Can Be Ordered With Optional
 Bolt-Down and/or Watertight Cover.

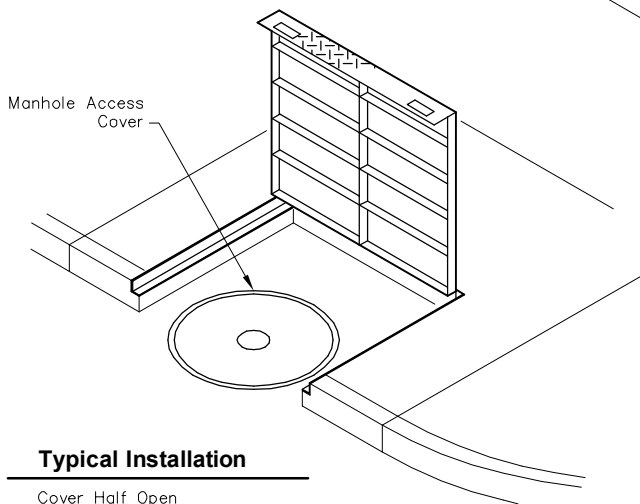


Notes:

1. Designed For Pedestrian Traffic Only
2. Cover And Frame To Be Installed As One Unit (Do Not Disassemble)
3. Finish: Hot-Dipped Galvanized

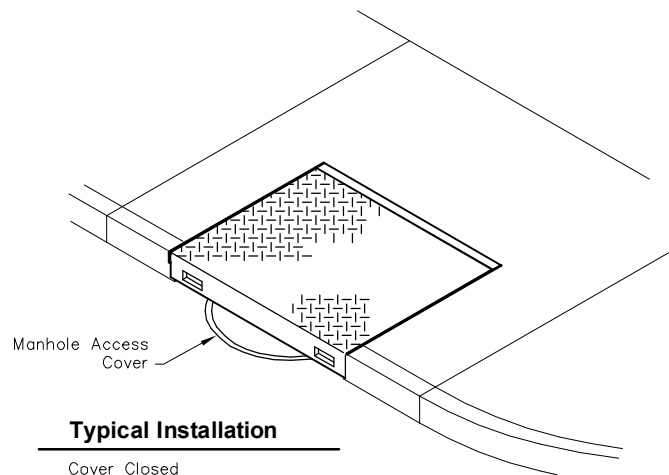
Cover Plate and Frame

Frame = 45 lbs
 Cover = 225 lbs
 Total = 270 lbs



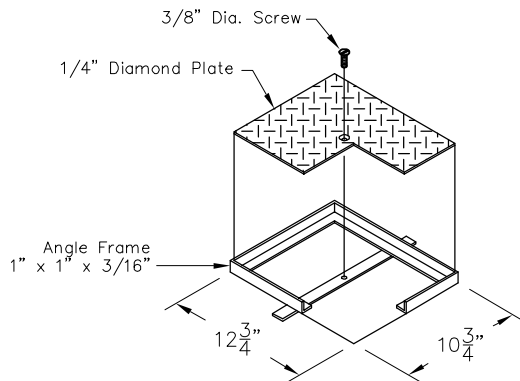
Typical Installation

Cover Half Open



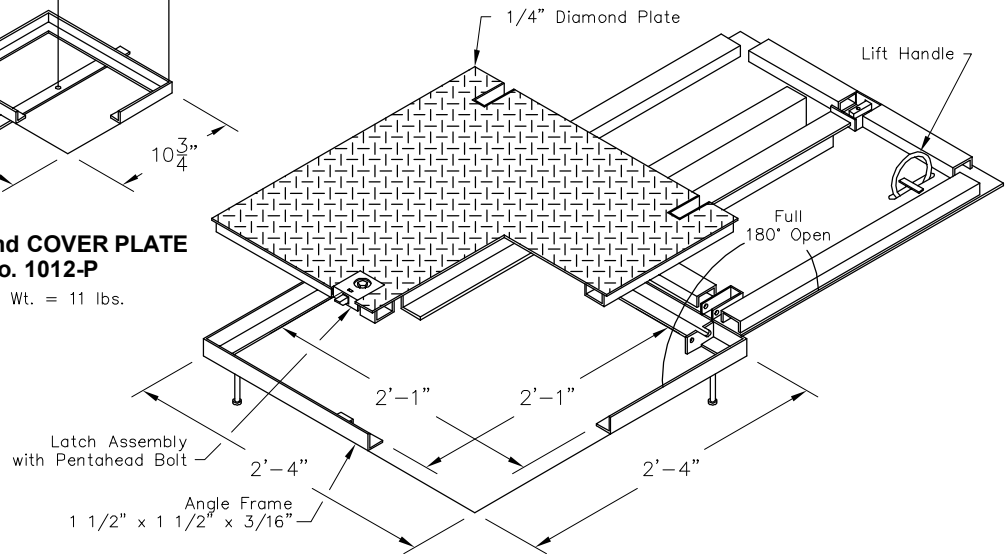
Typical Installation

Cover Closed



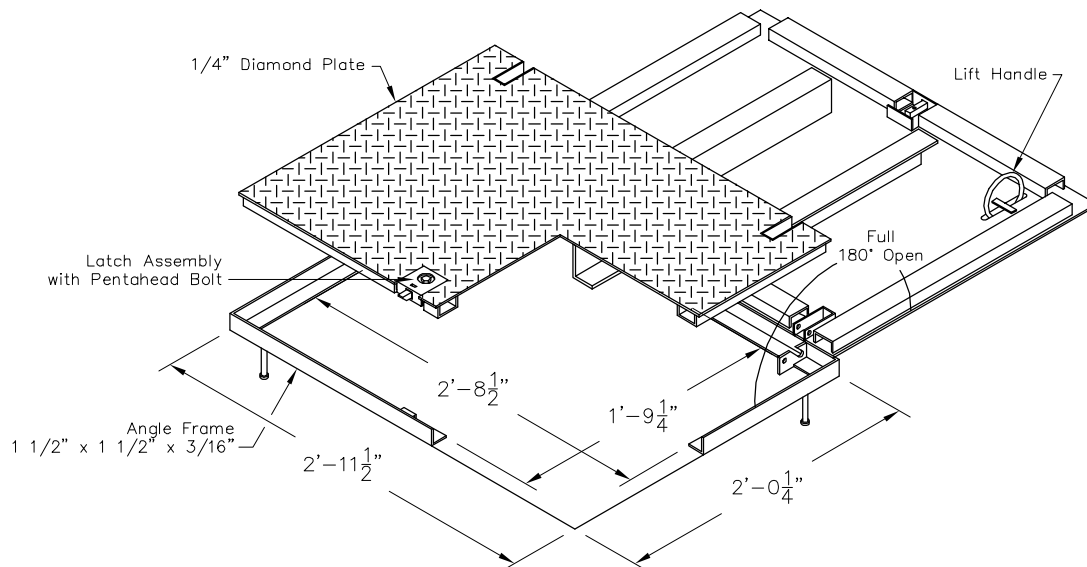
FRAME and COVER PLATE
No. 1012-P

Total Wt. = 11 lbs.



FRAME and COVER PLATE
No. 3030-P

Total Wt. = 85 lbs.



FRAME and COVER PLATE
No. 2436-P

Total Wt. = 110 lbs.

NOTES:

FINISH:
 Hot-Dipped Galvanized After Fabrication

LOADING:
 Suitable For H-20 Wheel Loading In Off-Street Locations
 Where Not Subjected To High-Density Traffic

Non Skid Covers Available

Access Hatch

Model "S" and "D"
(H-10 Rating)

LW PRODUCTS COMPANY, INC.
"ACCESS DOORS BUILT TO LAST"

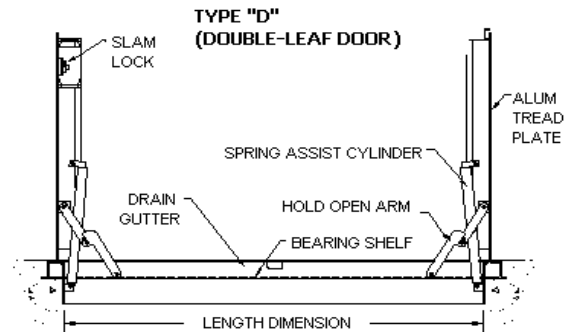
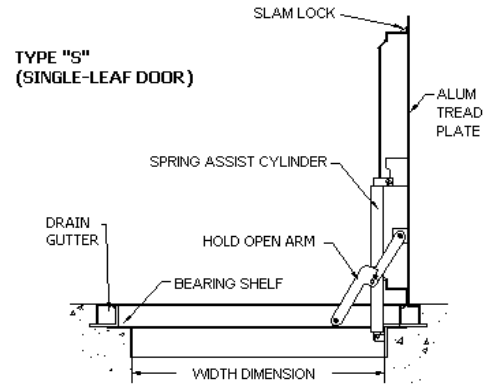
8333 -219th Street SE, Building A
Woodinville, Washington 98072
Phone (425) 483-0300
Fax (425) 485-2058

Aluminum Access Doors

Both type "S" and type "D" feature reinforcing channel framework that transfers the the load from the 1/4" aluminum diamond plate door leaf to the door frame, and our stainless steel spring lift makes the opening of our hatch doors easy. The locking support arm holds the doors open automatically. We use 3/8" neoprene to achieve a weather-tight seal.

All hardware used on our hatches is stainless steel, 300 series, except the 1 1/2" aluminum drain coupling and the removable handle used for access into the hatch.

All LW HATCHES are provided with a self-latching stainless steel slam lock and with a recessed padlock hasp so they can be locked with a padlock. All type "S" and type "D" door may be cast in an 8" slab.



Part #	A	B	C	D	E	F	G
S-1	24"x24"	24"x30"	24"x36"	24"x42"	24"x48"	24"x60"	24"x72"
S-2	30"x30"	30"x36"	30"x42"	30"x48"	30"x60"	30"x72"	30"x84"
S-3	36"x36"	36"x42"	36"x48"	36"x60"	36"x72"	36"x84"	36"x96"
S-4	42"x42"	42"x48"	42"x60"	42"x72"	42"x84"	42"x96"	42"x108"
S-5	48"x48"	48"x60"	48"x72"	48"x84"	48"x96"	48"x108"	

Type "S"
(Single-leaf door)
STANDARD
SIZE

Part #	A	B	C	D	E	F
D-1	42"x42"	42"x48"	42"x60"	42"x72"	42"x84"	42"x96"
D-2	48"x48"	48"x60"	48"x72"	48"x84"	48"x96"	
D-3	60"x60"	60"x72"	60"x84"	60"x96"	60"x108"	60"x120"
D-4	72"x72"	72"x84"	72"x96"	72"x108"	72"x120"	72"x132"

Type "D"
(Double-leaf door)
STANDARD
SIZE

Access Hatch

Model "HS" and "HD"
(H-20 Rating)

"ACCESS DOORS BUILT TO LAST"

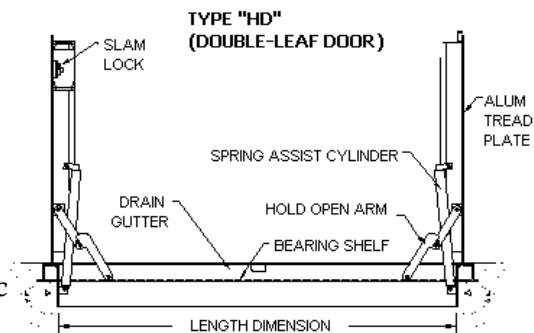
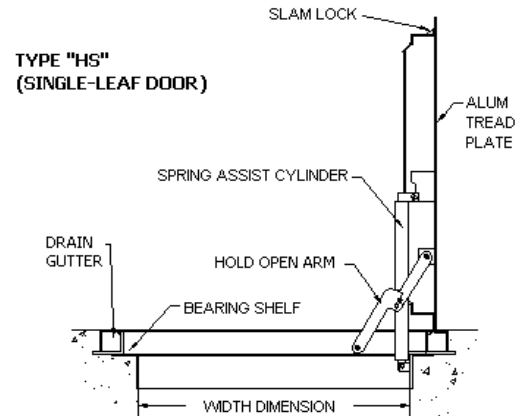
8333-219th Street SE, Building A
Woodinville, Washington 98072
Phone (425) 483-0300
Fax (425) 485-2058

Aluminum Access Doors

Both type "HS" and type "HD" feature reinforcing channel framework that transfers the load from the 1/4" aluminum diamond plate door leaf to the door frame, and our stainless steel spring lift makes the opening of our hatch doors easy. The locking support arm holds the doors open automatically. We use 3/8" neoprene to achieve a weather-tight seal.

All hardware used on our hatches is stainless steel, 300 series, except the 1 1/2" aluminum drain coupling and the removable handle used for access into the hatch.

All LW HATCHES are provided with a self-latching stainless steel slam lock and with a recessed padlock hasp so they can be locked with a padlock. All type "HS" and type "HD" doors are designed for use in off street locations where not subjected to high density traffic. However, special provisions may be made to the hatch to allow use in higher density traffic location when requested. May be cast in an 8" slab.

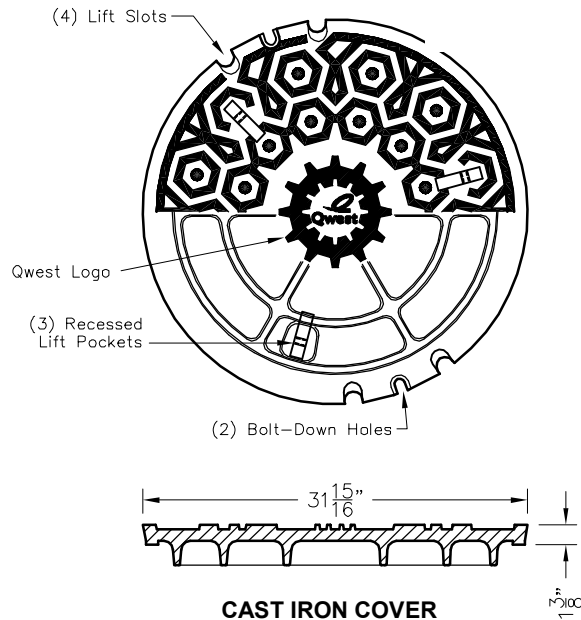


Part #	A	B	C	D	E	F	G
HS-1	24"x24"	24"x30"	24"x36"	24"x42"	24"x48"	24"x60"	24"x72"
HS-2	30"x30"	30"x36"	30"x42"	30"x48"	30"x60"	30"x72"	30"x84"
HS-3	36"x36"	36"x42"	36"x48"	36"x60"	36"x72"	36"x84"	36"x96"
HS-4	42"x42"	42"x48"	42"x60"	42"x72"	42"x84"	42"x96"	42"x108"
HS-5	48"x48"	48"x60"	48"x72"	48"x84"	48"x96"	48"x108"	

Type "HS"
(Single-leaf door)
STANDARD
SIZE

Part #	A	B	C	D	E	F
HD-1	42"x42"	42"x48"	42"x60"	42"x72"	42"x84"	42"x96"
HD-2	48"x48"	48"x60"	48"x72"	48"x84"	48"x96"	
HD-3	60"x60"	60"x72"	60"x84"	60"x96"	60"x108"	60"x120"
HD-4	72"x72"	72"x84"	72"x96"	72"x108"	72"x120"	72"x132"

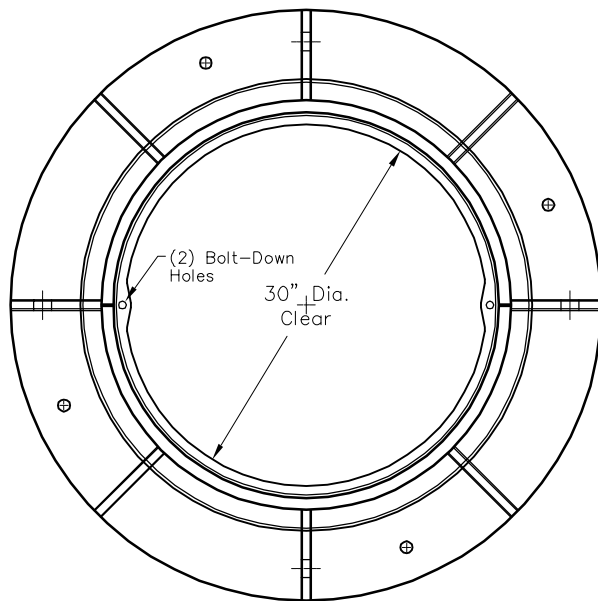
Type "HD"
(Double-leaf door)
STANDARD
SIZE



CAST IRON COVER

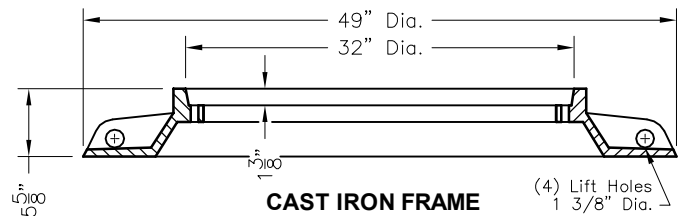
Suitable For Use In Traffic Areas
 Wt. 305 lbs

**COVER
 FRAMES**



FRAME - PLAN

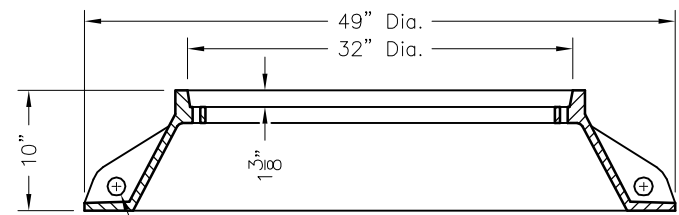
Typical Both Frames



CAST IRON FRAME

No. SB-30

Wt. 355 lbs

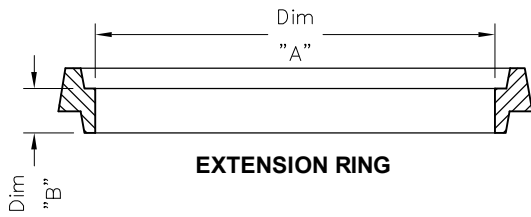
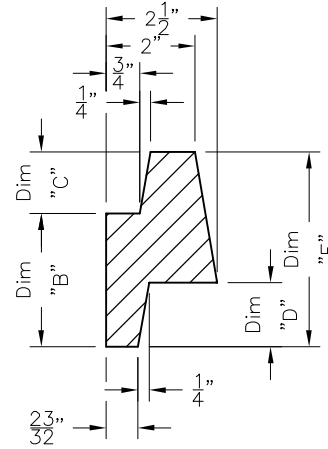
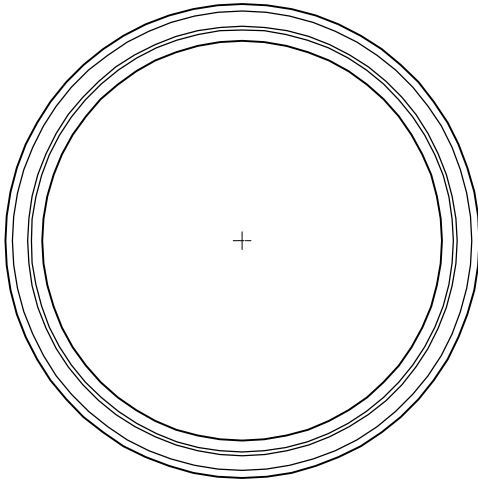


CAST IRON FRAME

No. B-30

Wt. 465 lbs

Castings Can Be Ordered With Optional Bolt-Down and/or Watertight Cover.



RING No.	DIM "A"	DIM "B"	DIM "C"	DIM "D"	DIM "E"
27A2	31 1/2"	2"	1 1/2"	1 9/16"	3 1/2"
27A3	31 1/2"	3"	1 1/2"	1 9/16"	4 1/2"
27B2	27"	2"	1 3/8"	1 7/16"	3 3/8"
27B2-1/2	27"	2-1/2"	1 3/8"	1 7/16"	3 7/8"
27B3	27"	3"	1 3/8"	1 7/16"	4 3/8"
30B2	30"	2"	1 3/8"	1 7/16"	3 3/8"
30B3	30"	3"	1 3/8"	1 7/16"	4 3/8"